

Quality, Innovation, Cooperation

PRODUCT CATALOG OF ELECTRIC HOIST

LOW HEADROOM / STANDARD HEADROOM / DOUBLE GIRDER

NWH WIRE ROPE HOIST / ECO WIRE ROPE HOIST / NCH CHAIN HOIST

NWH Hoist - Low Headroom



Eco Hoist - Normal Headroom



NCH Chain Hoist



ABOUT US

Rexon Drive is an advanced professional company of Electric Hoist and Gear Motor which inherits the advanced German product design concept, perfect technological process and strict quality management, committed to providing cost-effective products with reliable quality and good performance for users. Products mainly include NCH Chain hoists, NWH electric wire rope hoists, ECO electric wire rope hoists, NDR clean room electric hoists, explosion-proof electric hoists, flexible-girder cranes, jib cranes, and crane kits, which are widely used in equipment manufacturing, automobile industry, transportation and logistics, energy industry, metallurgy, shipbuilding, and many other fields. Rexon Drive puts advanced design and application concepts into practice, and provides lifting equipment with light dead weight, low headroom, safety and reliability, excellent performance and efficient operation for customers.



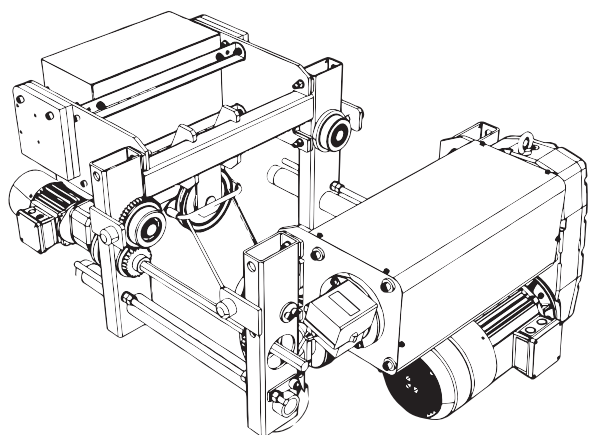
NWH Wire Rope Hoist

The blocks adopt the trend-leading C-shaped design, delivering compact structure, smooth operation and accurate positioning. Making use of variable frequency control technology, braking energy feedback technology.

Contents

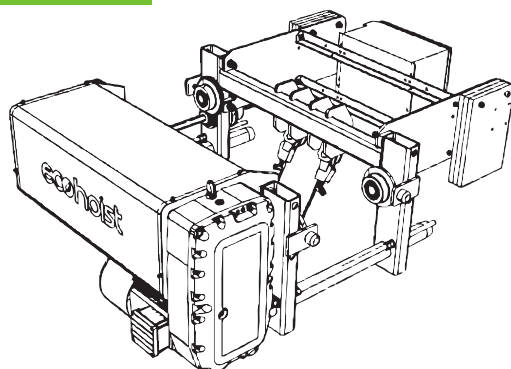
NWH Hoist

P01-P54



Eco Hoist Low headroom

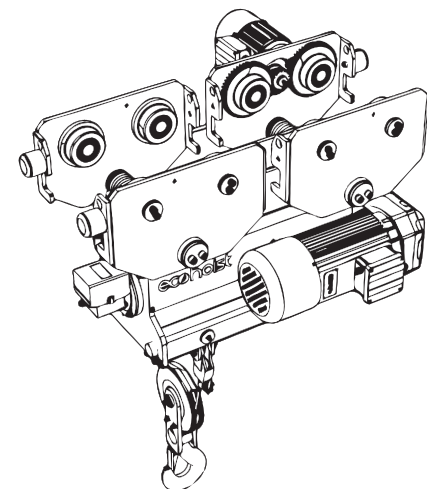
P01-P54



Eco Hoist- Normal headroom

P100-P128

Contents



NCH Chain hoist

P129-P144



Product Core Components



Drum

Using Q345 seamless steel tube as raw material and process it by numbers of working procedure. Advanced processing methods to ensure concentricity of the drum.

The depth of rope groove is in compliance with the FEM standard.

High-strength pressing plates and bolts are fastened on the end of the wire rope to ensure the safety of lifting.



Lifting Drive Unit

Three-in-one design of gearbox, lifting motor and brake. Large lifting torque, small size, smooth operation, low impact force, low noise, low energy consumption and long service life.

The continuity rate of power supply reaches 60%, which meets the demand of high-frequency handling. The brake does not contain asbestos, and its normal service life can reach 1 million times.

Completely enclosed brake with high protection level to meet the working requirements in harsh environments. Braking torque is twice the rated torque of the motor. Optional manual release, encoder, etc., Strong customization.



Trolley Drive Unit

Three-in-one trolley drive unit with compact structure and smooth operation.

Aluminum alloy shell, fast heat dissipation, long life, frequency conversion control, low noise
Smooth starting and braking, low impact force
Brake discs does not contain asbestos



Lifting Gear Limit Switch

Freely adjustable screw-type hoisting limiter with high precision, wide adjustment range, safety and reliability.

Multi-contact configuration can effectively realize the fast and slow speed switching and stopping function when rising and descending.



Rope Guide

Made of engineering plastics (or ductile cast iron). Light weight, good abrasion resistance, effectively reduce the wear of the wire rope
Prevent wire rope from skipping and loosing to off-groove.



Monitoring Unit

Control system, it has the practical and friendly human-machine interface and easy operation.

The unit can monitor and record the hoist running time, overload times and other information, easy to maintain.

Regularly maintain and reminder friction plate wear alarm function intelligent interface, can expand the function.



High-performance wire rope

Imported wire rope of high-performance with tensile strength up to 2160Mpa.

The surface with galvanized processing for corrosion prevention effectively.

With good flexibility to ensure wear resistance of the wire rope and prolong its service life.



Hook Block

DIN standard hooks with safety catch and wire rope sheath. Ergonomic design, high-strength materials of T-grade
Attached with certificate of conformity for non-destructive testing of the hooks.

NWH Wire Rope Hoist Code

NWH	4	050	41	P	1	5	F	S	A	N
1	2	3	4	5	6	7	8	9	10	11

1	NWH	Wire Rope Hoist Code	
2	4	Frame Model	3、 QS3200 hoisting mechanism with 140mm drum, maximum load capacity: 3200kg 4、 QS5000 hoisting mechanism with 190mm drum, maximum load capacity: 5000kg 5、 QS12500 hoisting mechanism with 268mm drum, maximum load capacity: 112500kg 7、 QS25000 hoisting mechanism with 325mm drum 8、 QS40000 hoisting mechanism and 38kw variable frequency motor, with 405 drum 9、 QS40000 hoisting mechanism and 38kw variable frequency motor, with 405 drum
3	050	Load Capacity	050=50x100=5000kg
4	41	Rope Way	4、 Reeving (2,4,6,8) ; 1、 The number of wire rope fixed to the drum (1,2) ;
5	P	Lifting Motor Type	P、 2-speed Motor ; T、 Variable Frequency Motor ;
6	1	Lifting Motor Power	1~9 A、 B、 C
7	5	Working Class	3、 ISO M3 ; 4、 ISO M4 ; 5、 ISO M5 ; 6、 ISO M6 ; 7、 ISO M7
8	F	Hoisting Mechanism Speed Ratio	E、 F、 G、 H、 I
9	S	Trolley Structure	F、 Fixed Type S、 Single Girder D、 Double Girder N、 Normal Headroom
10	A	Drum Length	A、 550mm B、 700mm C、 900mm D、 1100mm E、 1300mm F、 1500mm G、 1700mm H、 1900mm I、 2100mm J、 2300mm K、 2500mm L、 3100mm M、 3700mm
11	N	Special Instructions	N、 Standard Configuration S、 Special Design

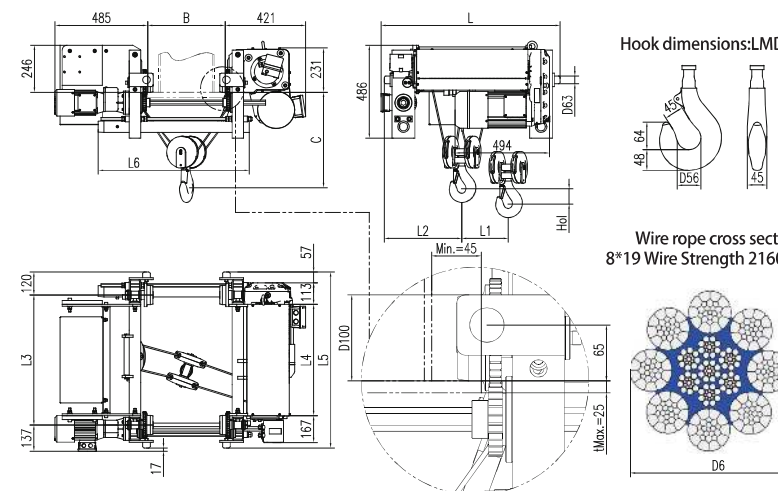
NWH3 Low Headroom Single Girder Wire Rope Hoist

1.1. NWH3 Single Girder 3200kg NWH303241P15FSAN (H=6m)

Product Dimensions:

HoI (m)	L (mm)	L1 (mm)	L2 (mm)	L3 (mm)	L4 (mm)	L5 (mm)
6	937	90	370	680	582	920

B (mm)	L6 (mm)	C (mm)	Weight (Kg)
250-300	650	500	265.5
300-400	790	550	267
400-500	900	650	268
500-600	1000	750	271



Product Parameter:

Rated Capacity (Kg)	Height (m)	Working Class (FEM/GB)	Lifting Speed (m/min)	Lifting Motor (kw)	Trolley Speed (m/min)	Trolley Motor Power (kw)
3200	6	2m(M5)	0.8/5	0.45/3.2	5-20	0.64

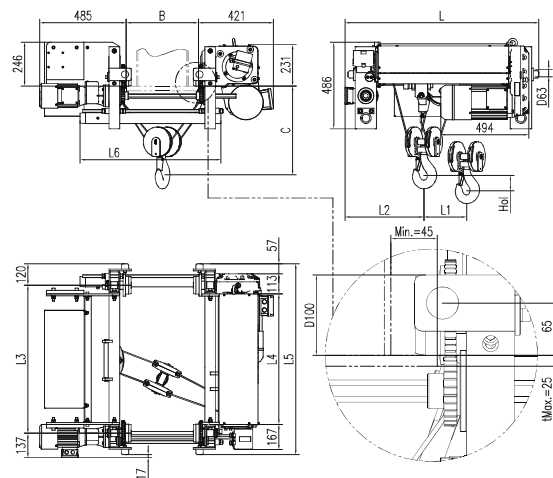
NWH3 Low Headroom Single Girder Wire Rope Hoist

1.2. NWH3 Single Girder 3200kg NWH303241P15FSBN (H=9m)

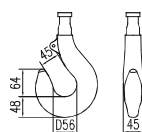
Product Dimensions:

HoI (m)	L (mm)	L1 (mm)	L2 (mm)	L3 (mm)	L4 (mm)	L5 (mm)
9	1087	135	320	830	732	1070

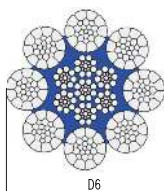
B (mm)	L6 (mm)	C (mm)	Weight (Kg)
250-300	650	500	277.5
300-400	790	550	279
400-500	900	650	280
500-600	1000	750	283



Hook dimensions:LMD1.6-T



Wire rope cross section
8*19 Wire Strength 2160 N/m²



Product Parameter:

Rated Capacity (Kg)	Height (m)	Working Class (FEM/GB)	Lifting Speed (m/min)	Lifting Motor (kw)	Trolley Speed (m/min)	Trolley Motor Power (kw)
3200	9	2m(M5)	0.8/5	0.45/3.2	5-20	0.64

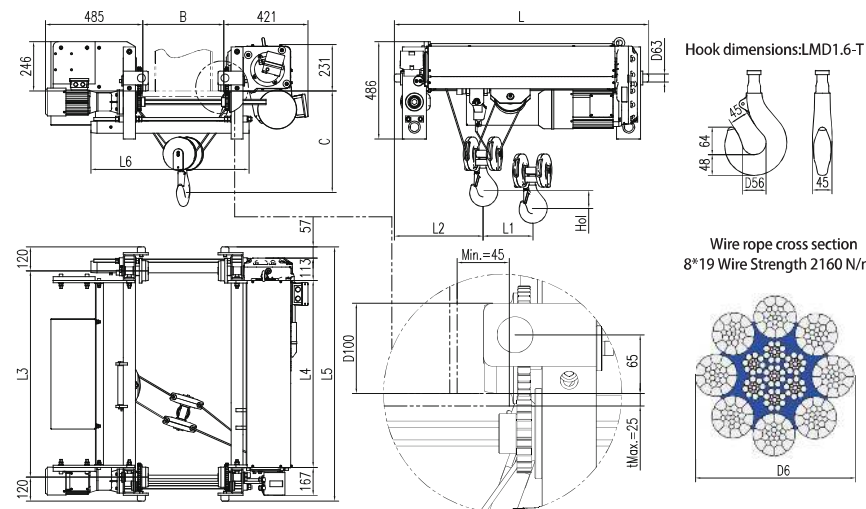
NWH3 Low Headroom Single Girder Wire Rope Hoist

1.3. NWH3 Single Girder 3200kg NWH303241P15FSCN (H=12m)

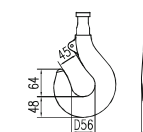
Product Dimensions:

HoI (m)	L (mm)	L1 (mm)	L2 (mm)	L3 (mm)	L4 (mm)	L5 (mm)
12	1287	180	320	1030	932	1270

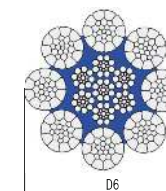
B (mm)	L6 (mm)	C (mm)	Weight (Kg)
250-300	650	500	292.5
300-400	790	550	294
400-500	900	650	295
500-600	1000	750	298



Hook dimensions:LMD1.6-T



Wire rope cross section
8*19 Wire Strength 2160 N/m²



Product Parameter:

Rated Capacity (Kg)	Height (m)	Working Class (FEM/GB)	Lifting Speed (m/min)	Lifting Motor (kw)	Trolley Speed (m/min)	Trolley Motor Power (kw)
3200	12	2m(M5)	0.8/5	0.45/3.2	5-20	0.64

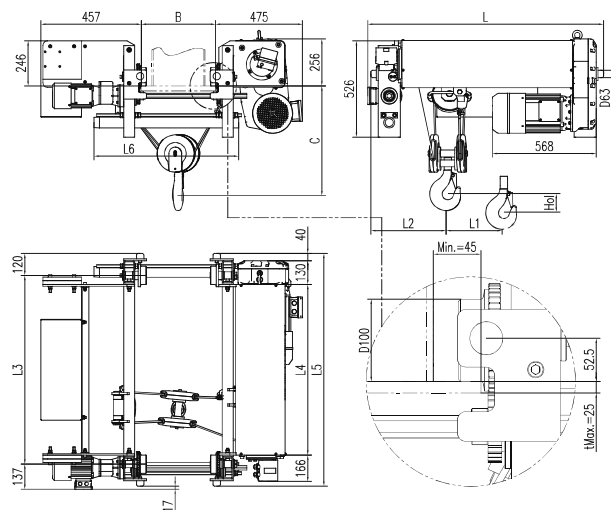
NWH4 Low Headroom Single Girder Wire Rope Hoist

1.6. NWH4 Single Girder 5000kg NWH405041P45FSCN (H=12m)

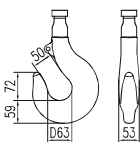
Product Dimensions:

HoI (m)	L (mm)	L1 (mm)	L2 (mm)	L3 (mm)	L4 (mm)	L5 (mm)
12	1287	180	420	1030	932	1270

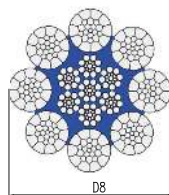
B (mm)	L6 (mm)	C (mm)	Weight (Kg)
250-300	650	590	392
300-400	790	590	393
400-500	900	630	394
500-600	1000	700	397



Hook dimensions:LMD2.5-T



Wire rope cross section
8*26Wire Strength 2160 N/m²



Product Parameter:

Rated Capacity (Kg)	Height (m)	Working Class (FEM/GB)	Lifting Speed (m/min)	Lifting Motor (kw)	Trolley Speed (m/min)	Trolley Motor Power (kw)
5000	12	2m(M5)	0.8/5	1/6.1	5-20	0.64

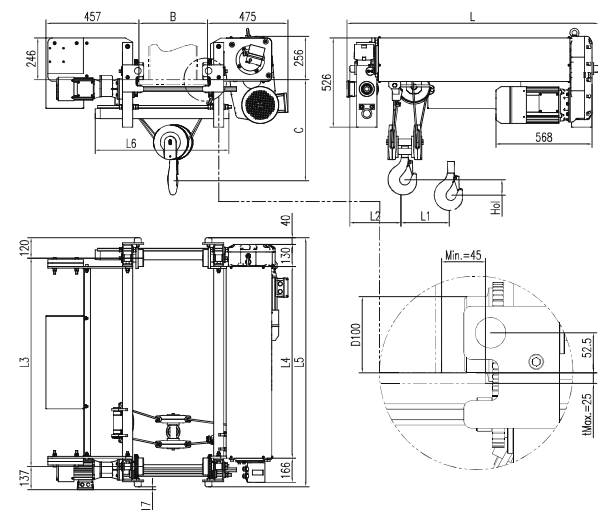
NWH4 Low Headroom Single Girder Wire Rope Hoist

1.7. NWH4 Single Girder 5000kg NWH405041P45FSDN (H=15m)

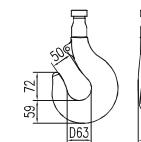
Product Dimensions:

HoI (m)	L (mm)	L1 (mm)	L2 (mm)	L3 (mm)	L4 (mm)	L5 (mm)
15	1487	225	370	1230	1132	1470

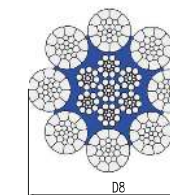
B (mm)	L6 (mm)	C (mm)	Weight (Kg)
250-300	650	590	413
300-400	790	590	414
400-500	900	630	415
500-600	1000	700	418



Hook dimensions:LMD2.5-T



Wire rope cross section
8*26Wire Strength 2160 N/m²



Product Parameter:

Rated Capacity (Kg)	Height (m)	Working Class (FEM/GB)	Lifting Speed (m/min)	Lifting Motor (kw)	Trolley Speed (m/min)	Trolley Motor Power (kw)
5000	12	2m(M5)	0.8/5	1/6.1	5-20	0.64

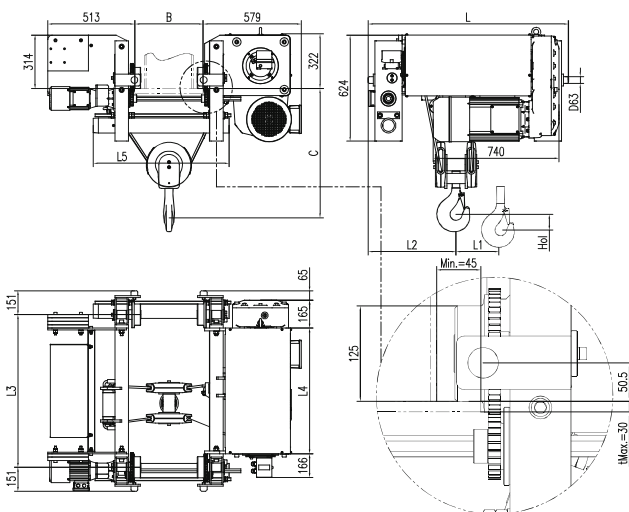
NWH5 Low Headroom Single Girder Wire Rope Hoist

1.10. NWH5 Single Girder 10000kg NWH510041P75FSBN (H=9m)

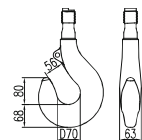
Product Dimensions:

Hoist (m)	L (mm)	L1 (mm)	L2 (mm)	L3 (mm)	L4 (mm)
9	1200	133	518	898	740

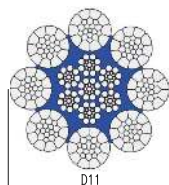
B (mm)	L5 (mm)	C (mm)	Weight (Kg)
300-400	800	740	671
400-500	900	740	673
500-600	1000	800	678



Hook dimensions:LMD4.0-T



Wire rope cross section
8*26Wire Strength 2160 N/m²



Product Parameter:

Rated Capacity (Kg)	Height (m)	Working Class (FEM/GB)	Lifting Speed (m/min)	Lifting Motor (kw)	Trolley Speed (m/min)	Trolley Motor Power (kw)
10000	9	2m(M5)	0.8/5	1.5/9.5	5-20	0.96

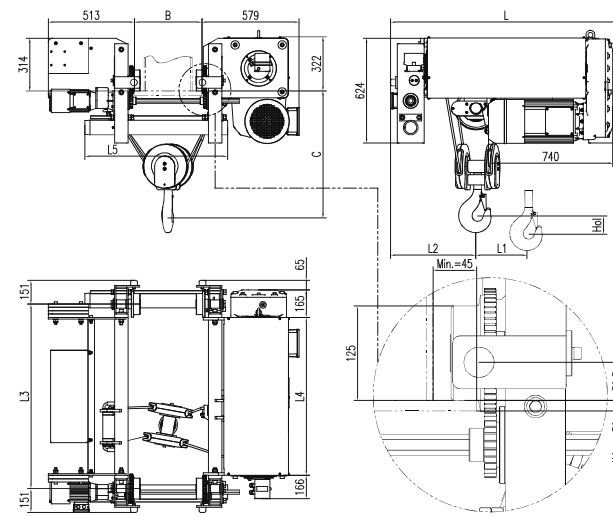
NWH5 Low Headroom Single Girder Wire Rope Hoist

1.11. NWH5 Single Girder 10000kg NWH510041P75FSCN (H=12m)

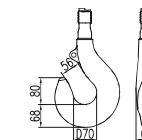
Product Dimensions:

Hoist (m)	L (mm)	L1 (mm)	L2 (mm)	L3 (mm)	L4 (mm)
12	1400	178	518	1098	940

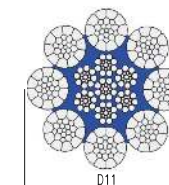
B (mm)	L5 (mm)	C (mm)	Weight (Kg)
300-400	800	740	706
400-500	900	740	708
500-600	1000	800	713



Hook dimensions:LMD4.0-T



Wire rope cross section
8*26Wire Strength 2160 N/m²



Product Parameter:

Rated Capacity (Kg)	Height (m)	Working Class (FEM/GB)	Lifting Speed (m/min)	Lifting Motor (kw)	Trolley Speed (m/min)	Trolley Motor Power (kw)
10000	12	2m(M5)	0.8/5	1.5/9.5	5-20	0.96

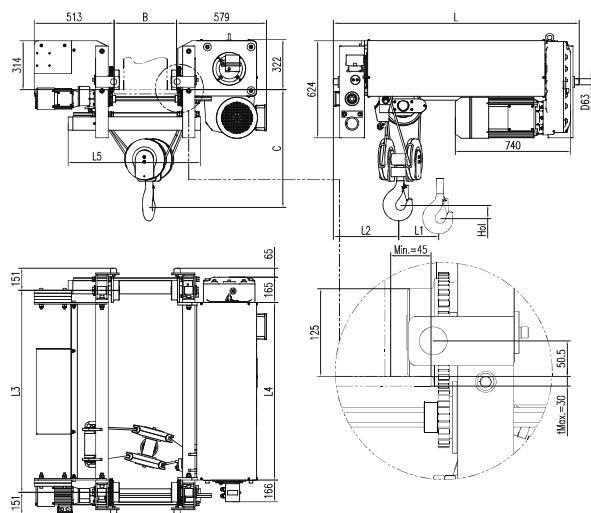
NWH5 Low Headroom Single Girder Wire Rope Hoist

1.12. NWH5 Single Girder 10000kg NWH510041P75FSDN (H=15m)

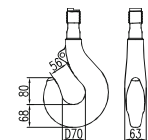
Product Dimensions:

HoI (m)	L (mm)	L1 (mm)	L2 (mm)	L3 (mm)	L4 (mm)
15	1600	222	430	1298	1140

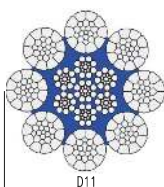
B (mm)	L5 (mm)	C (mm)	Weight (Kg)
300-400	800	740	742
400-500	900	740	744
500-600	1000	800	749



Hook dimensions:LMD4.0-T



Wire rope cross section
8*26Wire Strength 2160 N/m²



Product Parameter:

Rated Capacity (Kg)	Height (m)	Working Class (FEM/GB)	Lifting Speed (m/min)	Lifting Motor (kw)	Trolley Speed (m/min)	Trolley Motor Power (kw)
10000	15	2m(M5)	0.8/5	1.5/9.5	5-20	0.96

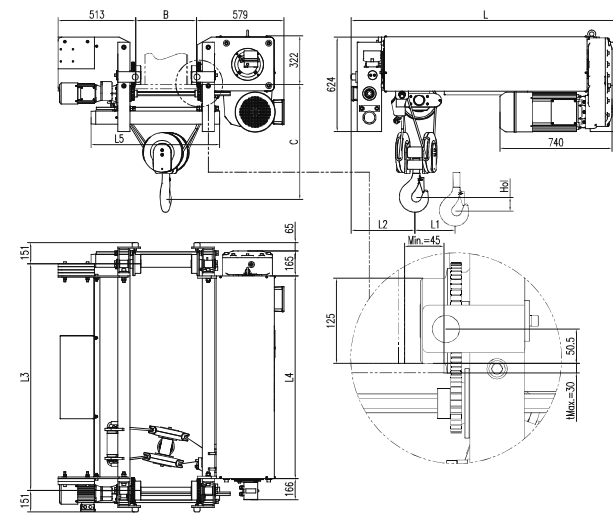
NWH5 Low Headroom Single Girder Wire Rope Hoist

1.13. NWH5 Single Girder 10000kg NWH510041P75FSEN (H=18m)

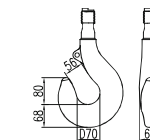
Product Dimensions:

HoI (m)	L (mm)	L1 (mm)	L2 (mm)	L3 (mm)	L4 (mm)
18	1800	267	430	1498	1340

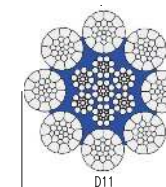
B (mm)	L5 (mm)	C (mm)	Weight (Kg)
300-400	800	740	776
400-500	900	740	778
500-600	1000	800	783



Hook dimensions:LMD4.0-T



Wire rope cross section
8*26Wire Strength 2160 N/m²



Product Parameter:

Rated Capacity (Kg)	Height (m)	Working Class (FEM/GB)	Lifting Speed (m/min)	Lifting Motor (kw)	Trolley Speed (m/min)	Trolley Motor Power (kw)
10000	18	2m(M5)	0.8/5	1.5/9.5	5-20	0.96

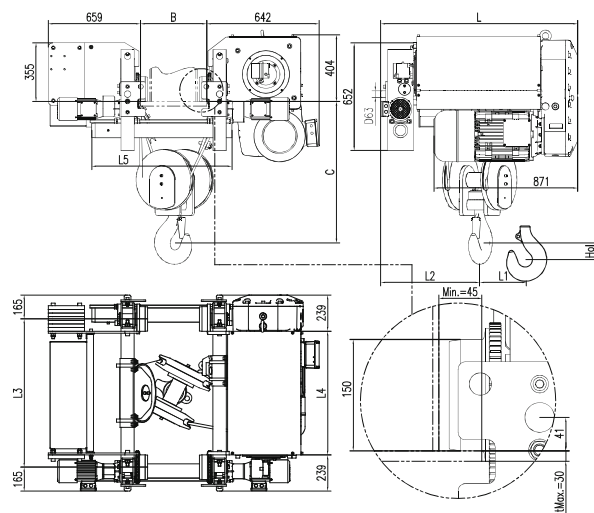
NWH7 Low Headroom Single Girder Wire Rope Hoist

1.14. NWH7 Single Girder 16000/20000kg NWH716041PB5ISBN/
NWH720041PB4ISBN (H=6m)

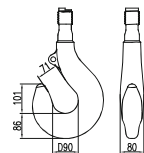
Product Dimensions:

HoI (m)	L (mm)	L1 (mm)	L2 (mm)	L3 (mm)	L4 (mm)
6	1228	100	600	898	750

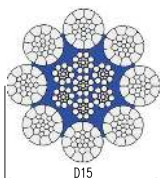
B (mm)	L5 (mm)	C (mm)	Weight (Kg)
350-450	850	850	1100



Hook dimensions:LMD6.0-T



Wire rope cross section
8*26Wire Strength 2160 N/m²



Product Parameter:

Rated Capacity (Kg)	Height (m)	Working Class (FEM/GB)	Lifting Speed (m/min)	Lifting Motor (kw)	Trolley Speed (m/min)	Trolley Motor Power (kw)
16000	6	2m(M5)	1.2/5	5/20	5-20	2*0.96
20000	6	1Am(M4)	1.2/5	5/20	5-20	2*0.96

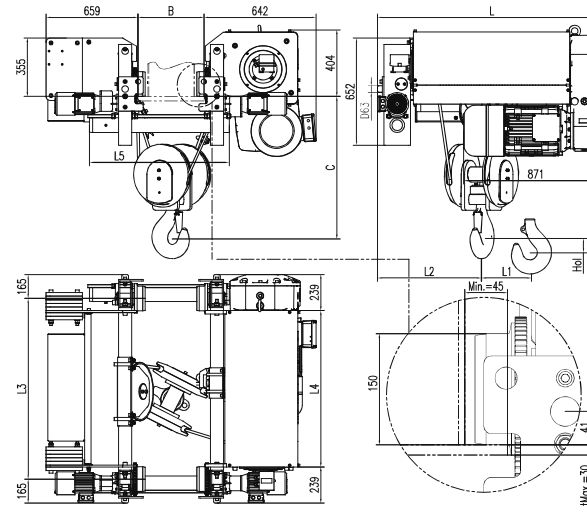
NWH7 Low Headroom Single Girder Wire Rope Hoist

1.15. NWH7 Single Girder 16000/20000kg NWH716041PB5ISCN/
NWH720041PB4ISCN (H=9m)

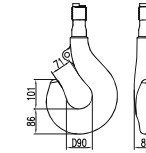
Product Dimensions:

HoI (m)	L (mm)	L1 (mm)	L2 (mm)	L3 (mm)	L4 (mm)
9	1428	150	632	1098	950

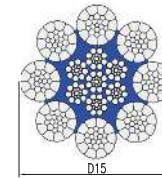
B (mm)	L5 (mm)	C (mm)	Weight (Kg)
350-450	850	850	1185



Hook dimensions:LMD6.0-T



Wire rope cross section
8*26Wire Strength 2160 N/m²



Product Parameter:

Rated Capacity (Kg)	Height (m)	Working Class (FEM/GB)	Lifting Speed (m/min)	Lifting Motor (kw)	Trolley Speed (m/min)	Trolley Motor Power (kw)
16000	9	2m(M5)	1.2/5	5/20	5-20	2*0.96
20000	9	1Am(M4)	1.2/5	5/20	5-20	2*0.96

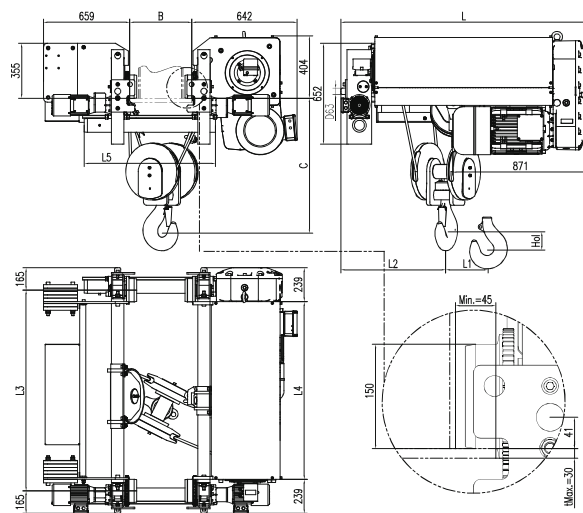
NWH7 Low Headroom Single Girder Wire Rope Hoist

1.16. NWH7 Single Girder 16000/20000kg NWH716041PB5ISDN/
NWH720041PB4ISDN (H=12m)

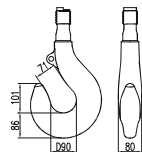
Product Dimensions:

HoI (m)	L (mm)	L1 (mm)	L2 (mm)	L3 (mm)	L4 (mm)
12	1628	200	678	1298	1150

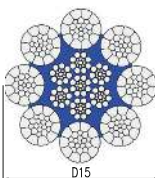
B (mm)	L5 (mm)	C (mm)	Weight (Kg)
350-450	850	850	1225



Hook dimensions:LMD6.0-T



Wire rope cross section
8*26Wire Strength 2160 N/m²



Product Parameter:

Rated Capacity (Kg)	Height (m)	Working Class (FEM/GB)	Lifting Speed (m/min)	Lifting Motor (kw)	Trolley Speed (m/min)	Trolley Motor Power (kw)
16000	12	2m(M5)	1.2/5	5/20	5-20	2*0.96
20000	12	1Am(M4)	1.2/5	5/20	5-20	2*0.96

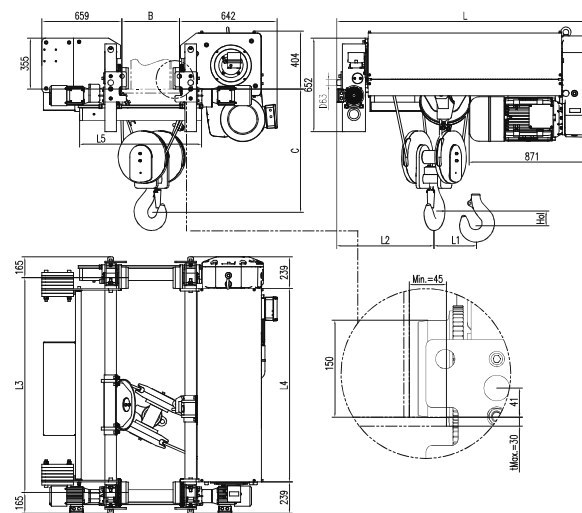
NWH7 Low Headroom Single Girder Wire Rope Hoist

1.17. NWH7 Single Girder 16000/20000kg NWH716041PB5ISEN/
NWH720041PB4ISEN (H=15m)

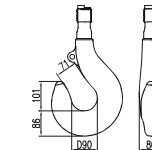
Product Dimensions:

HoI (m)	L (mm)	L1 (mm)	L2 (mm)	L3 (mm)	L4 (mm)
15	1828	250	678	1498	1350

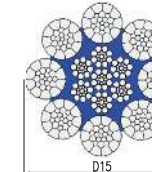
B (mm)	L5 (mm)	C (mm)	Weight (Kg)
350-450	850	850	1325



Hook dimensions:LMD6.0-T



Wire rope cross section
8*26Wire Strength 2160 N/m²



Product Parameter:

Rated Capacity (Kg)	Height (m)	Working Class (FEM/GB)	Lifting Speed (m/min)	Lifting Motor (kw)	Trolley Speed (m/min)	Trolley Motor Power (kw)
16000	15	2m(M5)	1.2/5	5/20	5-20	2*0.96
20000	15	1Am(M4)	1.2/5	5/20	5-20	2*0.96

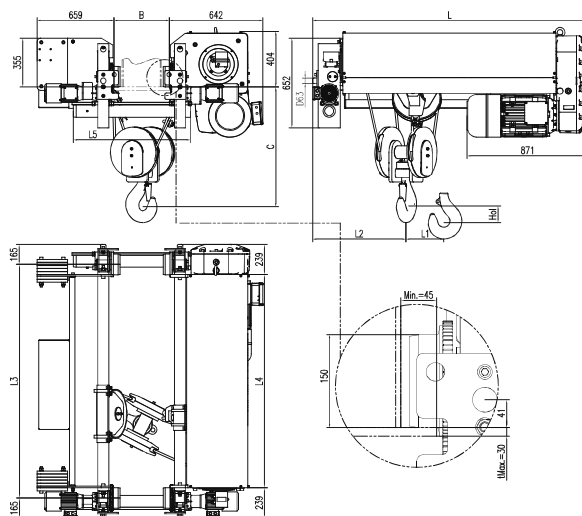
NWH7 Low Headroom Single Girder Wire Rope Hoist

1.18. NWH7 Single Girder 16000/20000kg NWH716041PB5ISFN/
NWH720041PB4ISFN (H=18m)

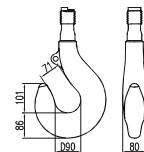
Product Dimensions:

HoI (m)	L (mm)	L1 (mm)	L2 (mm)	L3 (mm)	L4 (mm)
18	2028	300	678	1678	1550

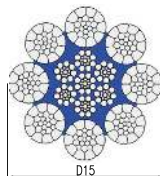
B (mm)	L5 (mm)	C (mm)	Weight (Kg)
350-450	850	850	1395



Hook dimensions:LMD6.0-T



Wire rope cross section
8*26Wire Strength 2160 N/m²



Product Parameter:

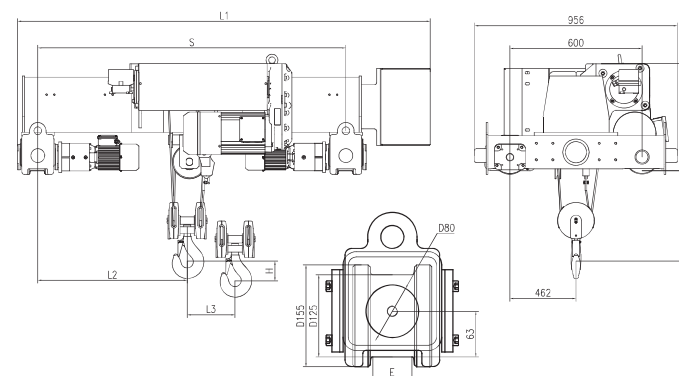
Rated Capacity (Kg)	Height (m)	Working Class (FEM/GB)	Lifting Speed (m/min)	Lifting Motor (kw)	Trolley Speed (m/min)	Trolley Motor Power (kw)
16000	18	2m(M5)	1.2/5	5/20	5-20	2*0.96
20000	18	1Am(M4)	1.2/5	5/20	5-20	2*0.96

NWH3 Double Girder Wire Rope Hoist

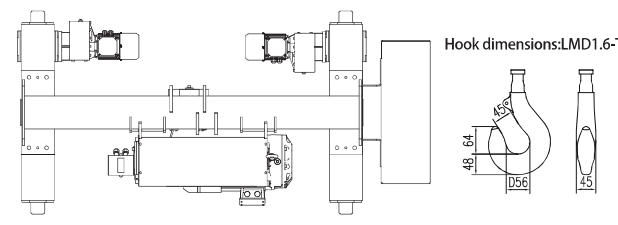
2.1. NWH3 Double Girder 3200kg NWH303241P15FDAN (H=6m)

Product Dimensions:

H (m)	L1 (mm)	S (mm)	L2 (mm)	L3 (mm)
6	1881	1400	679	90



Wire rope cross section
8*19Wire Strength 2160 N/m²



Product Parameter:

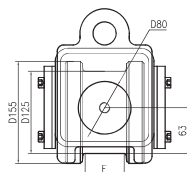
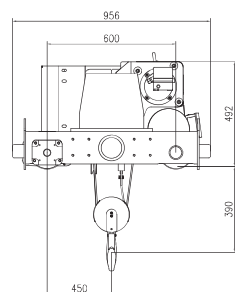
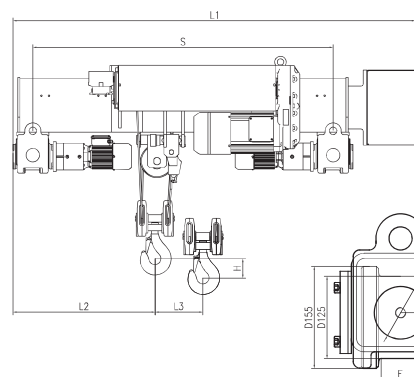
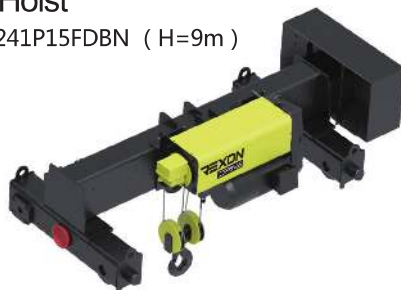
Rated Capacity (Kg)	Height (m)	Working Class (FEM/GB)	Reeving	Lifting Speed (m/min)	Lifting Motor (kw)	Trolley Speed (m/min)	Trolley Motor Power (kw)
3200	6	2m(M5)	4/1	0.8/5	0.45/3.2	5-20	2*0.31

NWH3 Double Girder Wire Rope Hoist

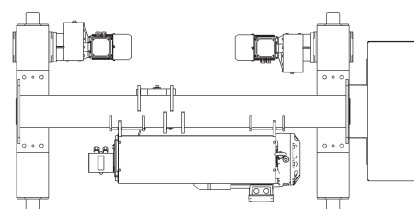
2.2. NWH3 Double Girder 3200kg NWH303241P15FDBN (H=9m)

Product Dimensions:

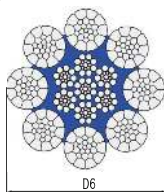
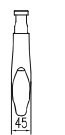
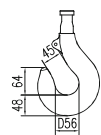
H (m)	L1 (mm)	S (mm)	L2 (mm)	L3 (mm)
9	1881	1400	633	135



Wire rope cross section
8*19Wire Strength 2160 N/m²



Hook dimensions:LMD1.6-T



Product Parameter:

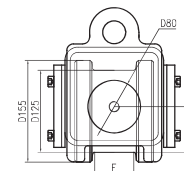
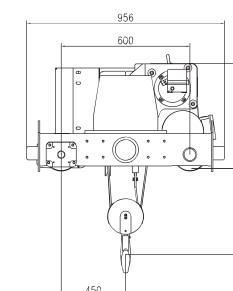
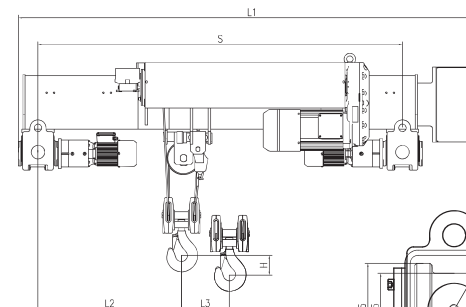
Rated Capacity (Kg)	Height (m)	Working Class (FEM/GB)	Reeving	Lifting Speed (m/min)	Lifting Motor (kw)	Trolley Speed (m/min)	Trolley Motor Power (kw)
3200	9	2m(M5)	4/1	0.8/5	0.45/3.2	5-20	2*0.31

NWH3 Double Girder Wire Rope Hoist

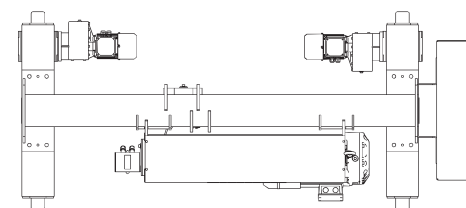
2.3. NWH3 Double Girder 3200kg NWH303241P15FDCN (H=12m)

Product Dimensions:

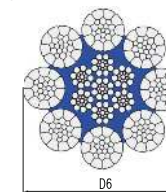
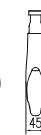
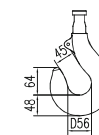
H (m)	L1 (mm)	S (mm)	L2 (mm)	L3 (mm)
12	2181	1700	700	160



Wire rope cross section
8*19Wire Strength 2160 N/m²



Hook dimensions:LMD1.6-T



Product Parameter:

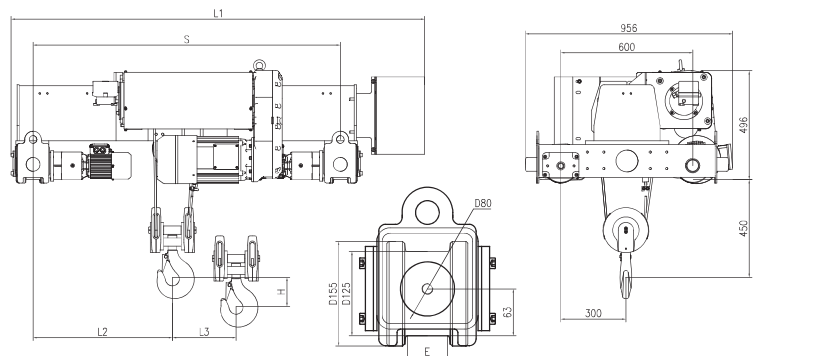
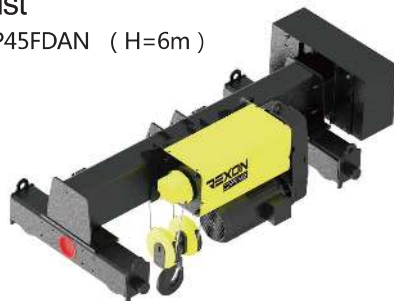
Rated Capacity (Kg)	Height (m)	Working Class (FEM/GB)	Reeving	Lifting Speed (m/min)	Lifting Motor (kw)	Trolley Speed (m/min)	Trolley Motor Power (kw)
3200	12	2m(M5)	4/1	0.8/5	0.45/3.2	5-20	2*0.31

NWH4 Double Girder Wire Rope Hoist

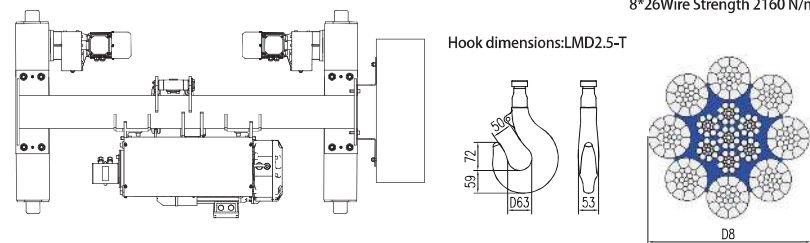
2.4. NWH4 Double Girder 5000kg NWH405041P45FDAN (H=6m)

Product Dimensions:

H (m)	L1 (mm)	S (mm)	L2 (mm)	L3 (mm)
6	1881	1400	635	90



Wire rope cross section
8*26Wire Strength 2160 N/m²



Product Parameter:

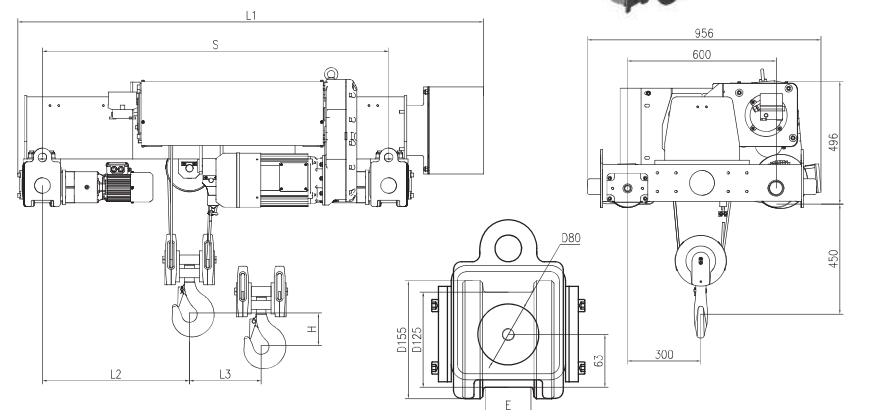
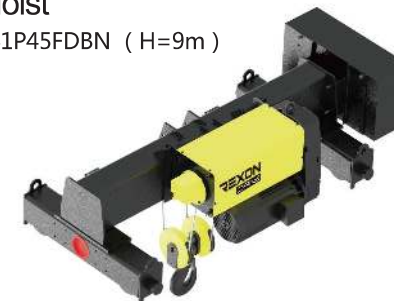
Rated Capacity (Kg)	Height (m)	Working Class (FEM/GB)	Reeving	Lifting Speed (m/min)	Lifting Motor (kw)	Trolley Speed (m/min)	Trolley Motor Power (kw)
5000	6	2m(M5)	4/1	0.8/5	1/6.1	5-20	2*0.31

NWH4 Double Girder Wire Rope Hoist

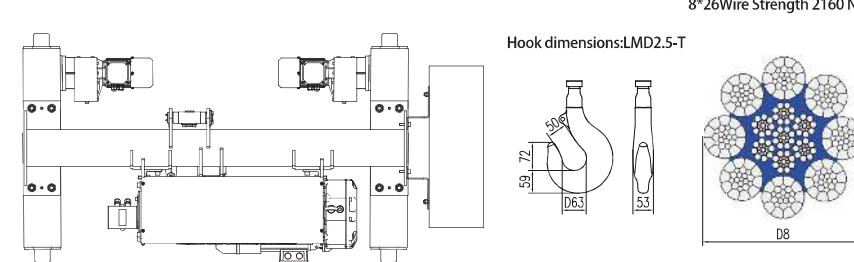
2.5. NWH4 Double Girder 5000kg NWH405041P45FDBN (H=9m)

Product Dimensions:

H (m)	L1 (mm)	S (mm)	L2 (mm)	L3 (mm)
9	1881	1400	595	135



Wire rope cross section
8*26Wire Strength 2160 N/m²



Product Parameter:

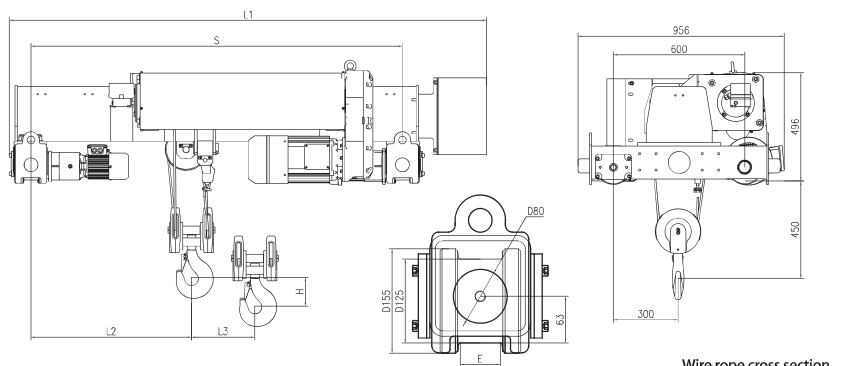
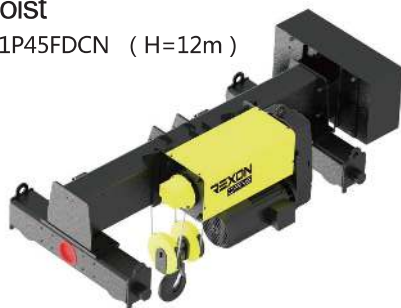
Rated Capacity (Kg)	Height (m)	Working Class (FEM/GB)	Reeving	Lifting Speed (m/min)	Lifting Motor (kw)	Trolley Speed (m/min)	Trolley Motor Power (kw)
5000	9	2m(M5)	4/1	0.8/5	1/6.1	5-20	2*0.31

NWH4 Double Girder Wire Rope Hoist

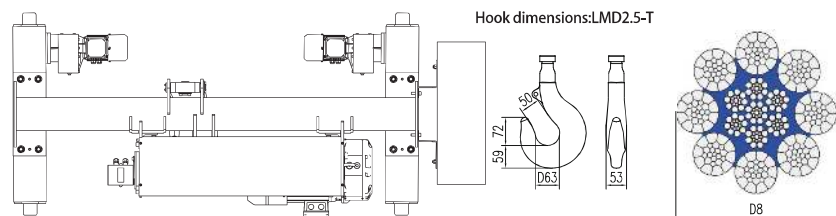
2.6. NWH4 Double Girder 5000kg NWH405041P45FDCN (H=12m)

Product Dimensions:

H (m)	L1 (mm)	S (mm)	L2 (mm)	L3 (mm)
12	2181	1700	710	180



Wire rope cross section
8*26Wire Strength 2160 N/m²



Hook dimensions:LMD2.5-T

Product Parameter:

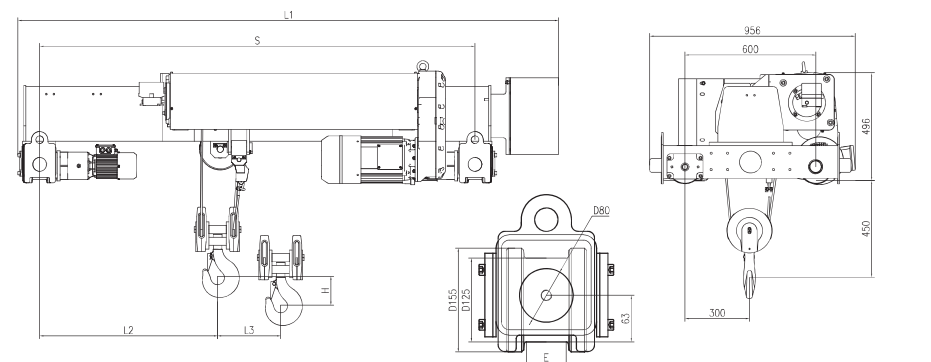
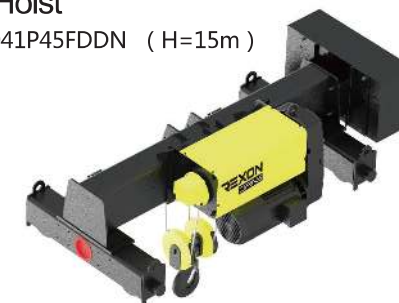
Rated Capacity (Kg)	Height (m)	Working Class (FEM/GB)	Reeving	Lifting Speed (m/min)	Lifting Motor (kw)	Trolley Speed (m/min)	Trolley Motor Power (kw)
5000	12	2m(M5)	4/1	0.8/5	1/6.1	5-20	2*0.31

NWH4 Double Girder Wire Rope Hoist

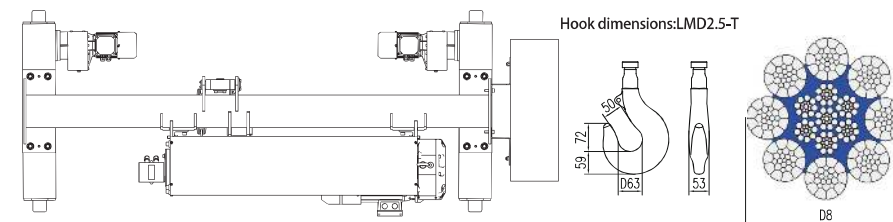
2.7. NWH4 Double Girder 5000kg NWH405041P45FDDN (H=15m)

Product Dimensions:

H (m)	L1 (mm)	S (mm)	L2 (mm)	L3 (mm)
15	2481	2000	835	225



Wire rope cross section
8*26Wire Strength 2160 N/m²



Hook dimensions:LMD2.5-T

Product Parameter:

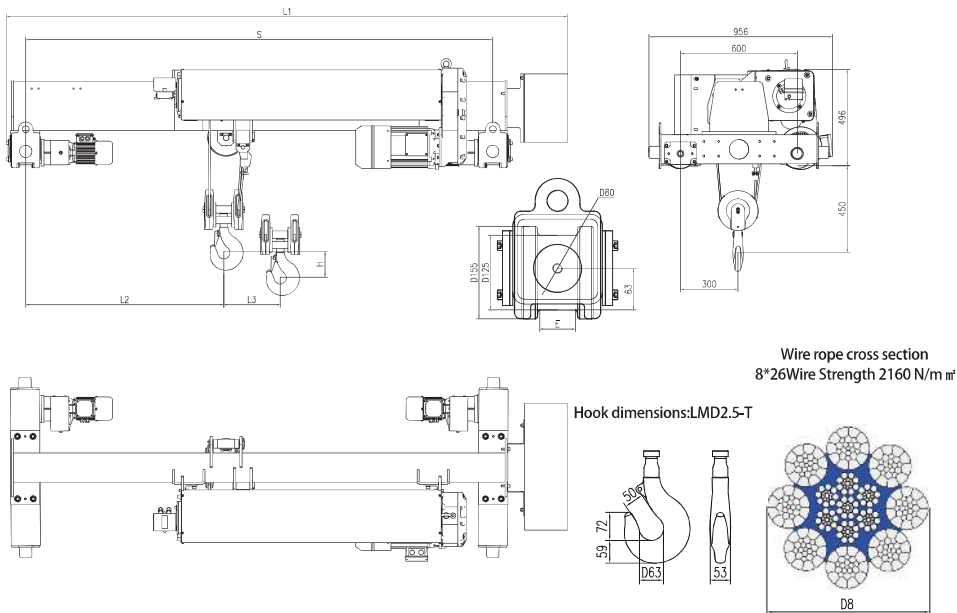
Rated Capacity (Kg)	Height (m)	Working Class (FEM/GB)	Reeving	Lifting Speed (m/min)	Lifting Motor (kw)	Trolley Speed (m/min)	Trolley Motor Power (kw)
5000	15	2m(M5)	4/1	0.8/5	1/6.1	5-20	2*0.31

NWH4 Double Girder Wire Rope Hoist

2.8. NWH4 Double Girder 5000kg NWH405041P45FDEN (H=18m)

Product Dimensions:

H (m)	L1 (mm)	S (mm)	L2 (mm)	L3 (mm)
18	2881	2400	1038	270



Product Parameter:

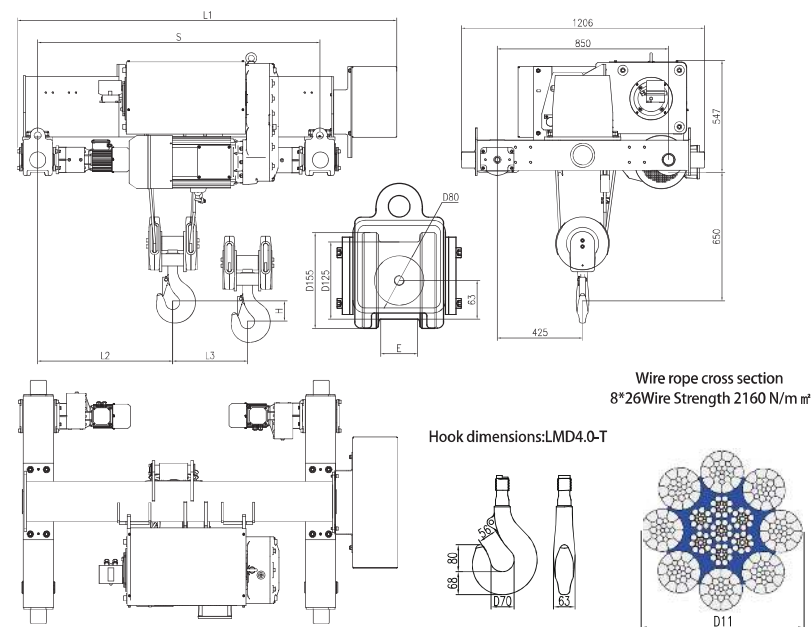
Rated Capacity (Kg)	Height (m)	Working Class (FEM/GB)	Reeving	Lifting Speed (m/min)	Lifting Motor (kw)	Trolley Speed (m/min)	Trolley Motor Power (kw)
5000	18	2m(M5)	4/1	0.8/5	1/6.1	5-20	2*0.31

NWH5 Double Girder Wire Rope Hoist

2.9. NWH5 Double Girder 10000kg NWH510041P75FDAN (H=6m)

Product Dimensions:

H (m)	L1 (mm)	S (mm)	L2 (mm)	L3 (mm)
6	1881	1400	670	89



Product Parameter:

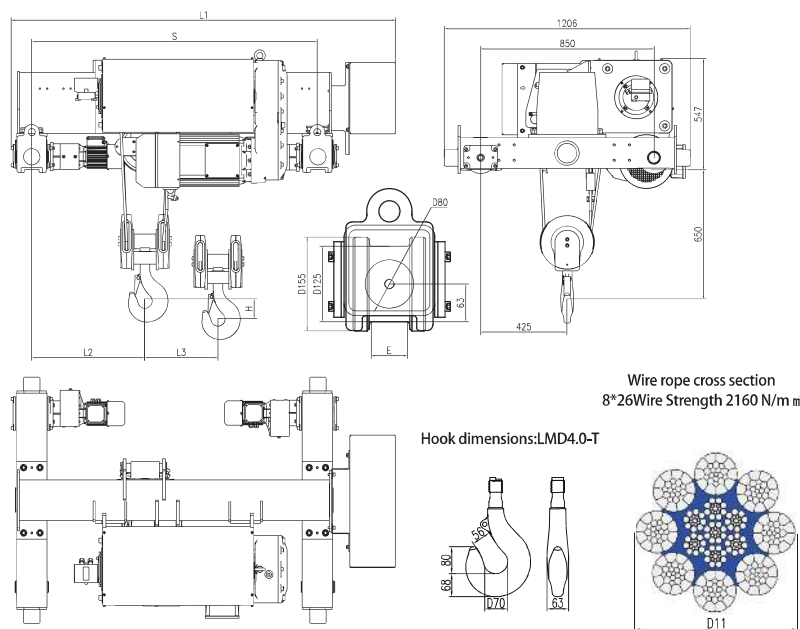
Rated Capacity (Kg)	Height (m)	Working Class (FEM/GB)	Reeving	Lifting Speed (m/min)	Lifting Motor (kw)	Trolley Speed (m/min)	Trolley Motor Power (kw)
10000	6	2m(M5)	4/1	0.8/5	1.5/9.5	5-20	2*0.44

NWH5 Double Girder Wire Rope Hoist

2.10. NWH5 Double Girder 10000kg NWH510041P75FDBN (H=9m)

Product Dimensions:

H (m)	L1 (mm)	S (mm)	L2 (mm)	L3 (mm)
9	1881	1400	555	133



Product Parameter:

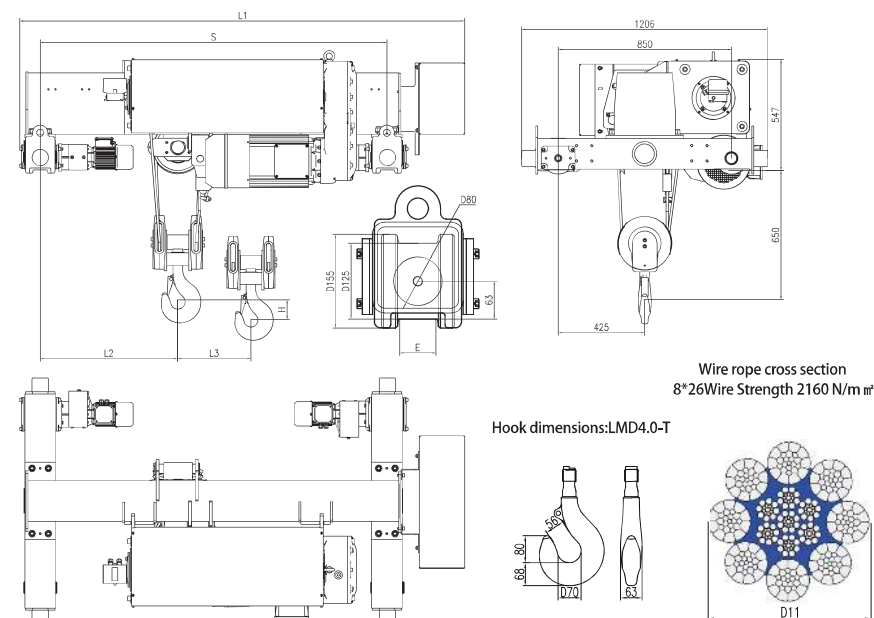
Rated Capacity (Kg)	Height (m)	Working Class (FEM/GB)	Reeving (m/min)	Lifting Speed (m/min)	Lifting Motor (kw)	Trolley Speed (m/min)	Trolley Motor Power (kw)
10000	9	2m(M5)	4/1	0.8/5	1.5/9.5	5-20	2*0.44

NWH5 Double Girder Wire Rope Hoist

2.11. NWH5 Double Girder 10000kg NWH510041P75FDCN (H=12m)

Product Dimensions:

H (m)	L1 (mm)	S (mm)	L2 (mm)	L3 (mm)
12	2181	1700	675	178



Product Parameter:

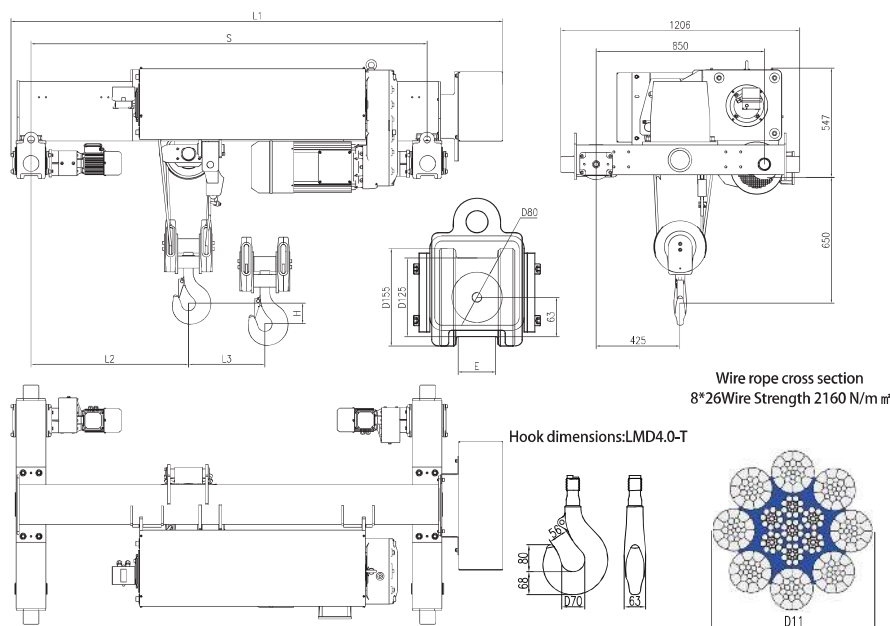
Rated Capacity (Kg)	Height (m)	Working Class (FEM/GB)	Reeving (m/min)	Lifting Speed (m/min)	Lifting Motor (kw)	Trolley Speed (m/min)	Trolley Motor Power (kw)
10000	12	2m(M5)	4/1	0.8/5	1.5/9.5	5-20	2*0.44

NWH5 Double Girder Wire Rope Hoist

2.12. NWH5 Double Girder 10000kg NWH510041P75FDDN (H=15m)

Product Dimensions:

H (m)	L1 (mm)	S (mm)	L2 (mm)	L3 (mm)
15	2481	2000	795	222



Product Parameter:

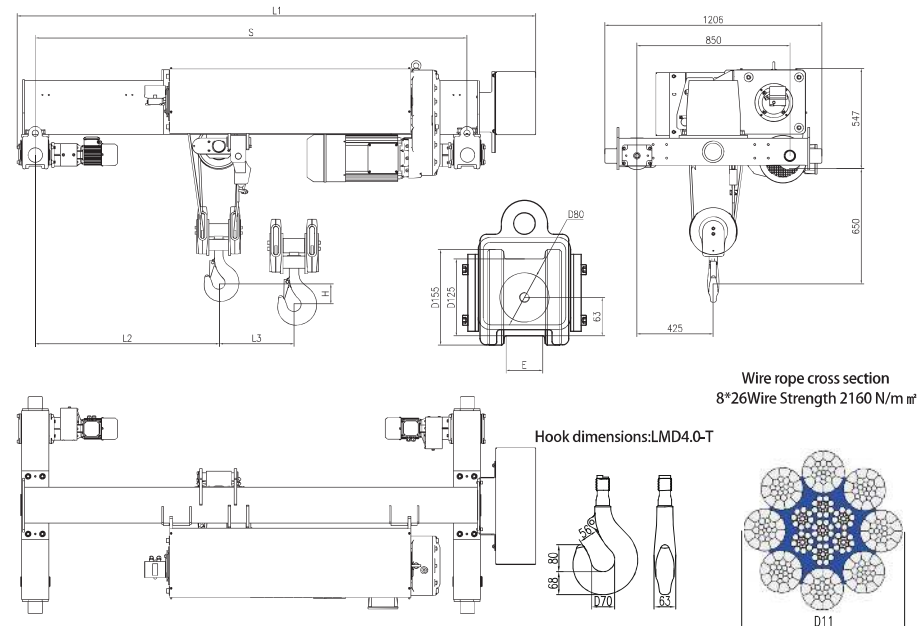
Rated Capacity (Kg)	Height (m)	Working Class (FEM/GB)	Reeving	Lifting Speed (m/min)	Lifting Motor (kw)	Trolley Speed (m/min)	Trolley Motor Power (kw)
10000	15	2m(M5)	4/1	0.8/5	1.5/9.5	5-20	2*0.44

NWH5 Double Girder Wire Rope Hoist

2.13. NWH5 Double Girder 10000kg NWH510041P75FDEN (H=18m)

Product Dimensions:

H (m)	L1 (mm)	S (mm)	L2 (mm)	L3 (mm)
18	2881	2400	1020	267



Product Parameter:

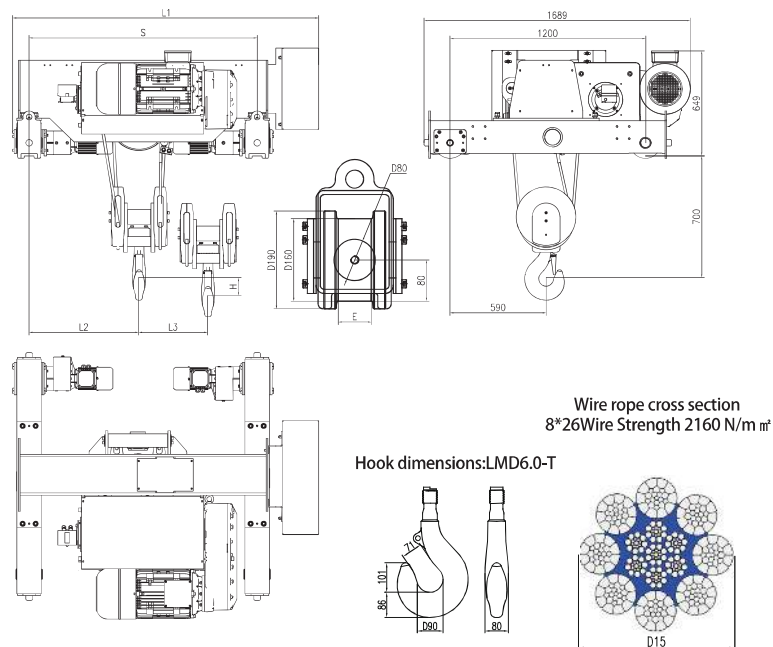
Rated Capacity (Kg)	Height (m)	Working Class (FEM/GB)	Reeving	Lifting Speed (m/min)	Lifting Motor (kw)	Trolley Speed (m/min)	Trolley Motor Power (kw)
10000	18	2m(M5)	4/1	0.8/5	1.5/9.5	5-20	2*0.44

NWH7 Double Girder Wire Rope Hoist

2.14. NWH7 Double Girder 16000/20000kg NWH716041PB5FDBN / NWH720041PB4FDBN (H=6m)

Product Dimensions:

H (m)	L1 (mm)	S (mm)	L2 (mm)	L3 (mm)
6	1875	1400	675	100



Product Parameter:

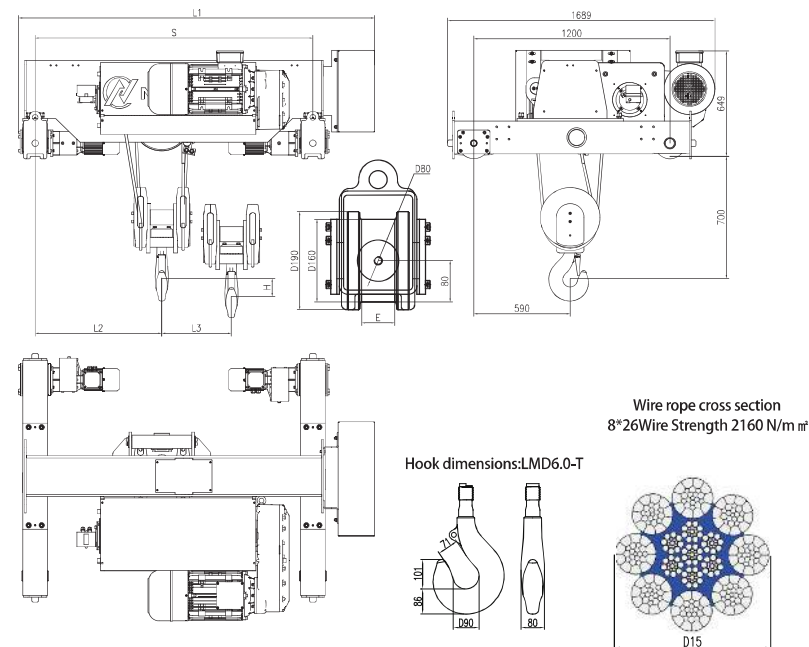
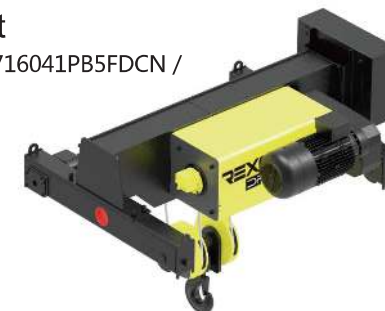
Rated Capacity (Kg)	Height (m)	Working Class (FEM/GB)	Reeving	Lifting Speed (m/min)	Lifting Motor (kw)	Trolley Speed (m/min)	Trolley Motor Power (kw)
16000	6	2m(M5)	4/1	1.2/5	5/20	5-20	2*0.96
20000	6	1Am(M4)	4/1	1.2/5	5/20	5-20	2*0.96

NWH7 Double Girder Wire Rope Hoist

2.15. NWH7 Double Girder 16000/20000kg NWH716041PB5FDCN / NWH720041PB4FDCN (H=9m)

Product Dimensions:

H (m)	L1 (mm)	S (mm)	L2 (mm)	L3 (mm)
9	2175	1700	775	150



Product Parameter:

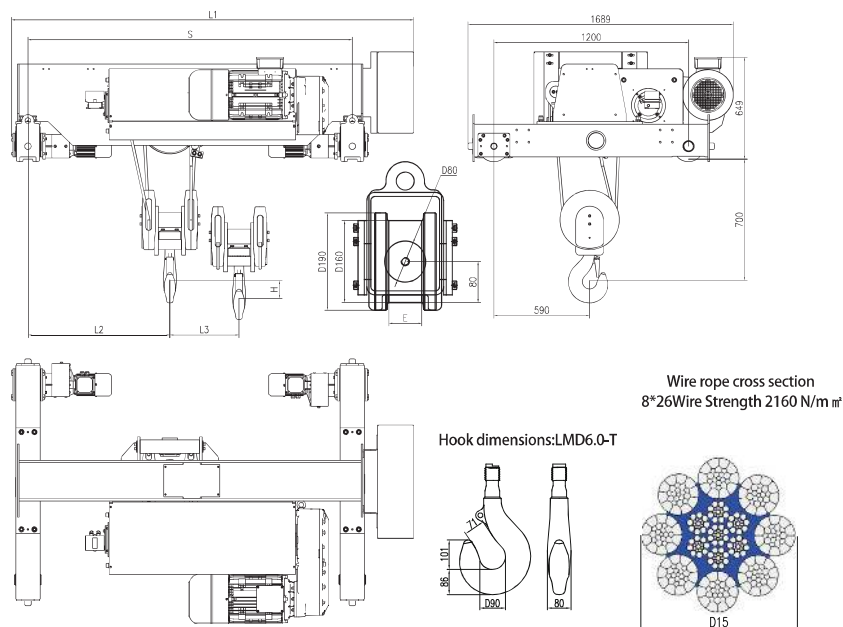
Rated Capacity (Kg)	Height (m)	Working Class (FEM/GB)	Reeving	Lifting Speed (m/min)	Lifting Motor (kw)	Trolley Speed (m/min)	Trolley Motor Power (kw)
16000	9	2m(M5)	4/1	1.2/5	5/20	5-20	2*0.96
20000	9	1Am(M4)	4/1	1.2/5	5/20	5-20	2*0.96

NWH7 Double Girder Wire Rope Hoist

2.16. NWH7 Double Girder 16000/20000kg NWH716041PB5FDDN / NWH720041PB4FDDN (H=12m)

Product Dimensions:

H (m)	L1 (mm)	S (mm)	L2 (mm)	L3 (mm)
12	2475	2000	875	200



Product Parameter:

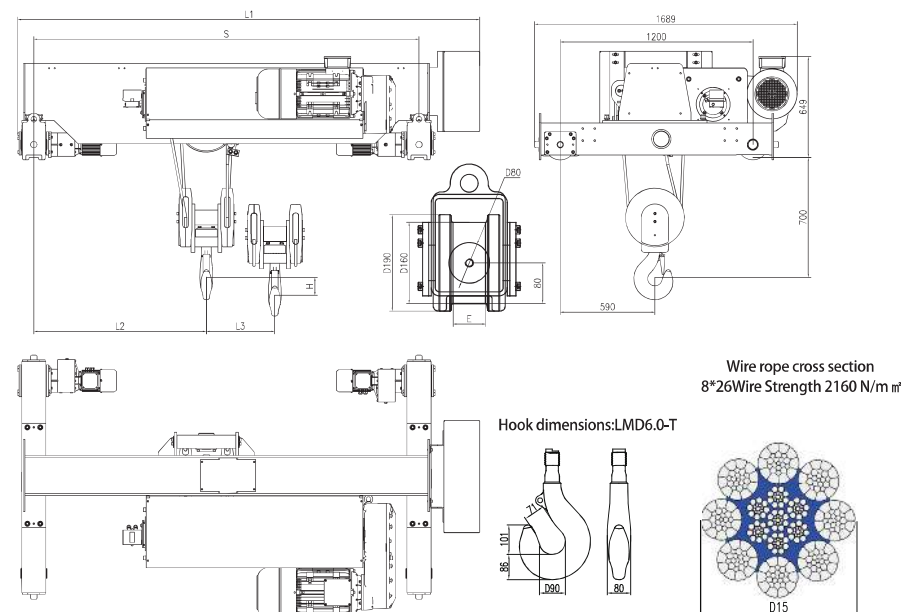
Rated Capacity (Kg)	Height (m)	Working Class (FEM/GB)	Reeving	Lifting Speed (m/min)	Lifting Motor (kw)	Trolley Speed (m/min)	Trolley Motor Power (kw)
16000	12	2m(M5)	4/1	1.2/5	5/20	5-20	2*0.96
20000	12	1Am(M4)	4/1	1.2/5	5/20	5-20	2*0.96

NWH7 Double Girder Wire Rope Hoist

2.17. NWH7 Double Girder 16000/20000kg NWH716041PB5FDEN / NWH720041PB4FDEN (H=15m)

Product Dimensions:

H (m)	L1 (mm)	S (mm)	L2 (mm)	L3 (mm)
15	2875	2400	1047	250



Product Parameter:

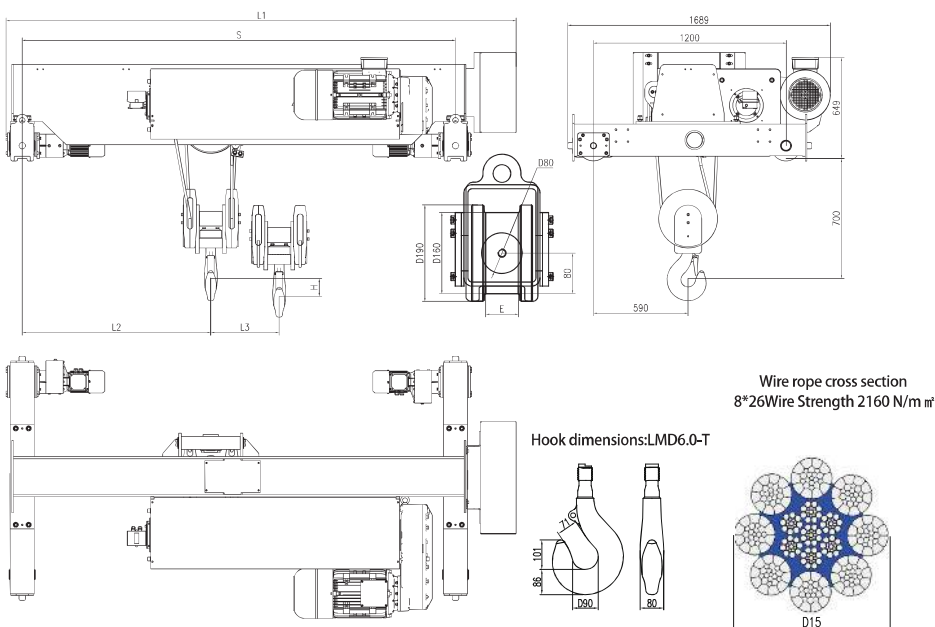
Rated Capacity (Kg)	Height (m)	Working Class (FEM/GB)	Reeving	Lifting Speed (m/min)	Lifting Motor (kw)	Trolley Speed (m/min)	Trolley Motor Power (kw)
16000	15	2m(M5)	4/1	1.2/5	5/20	5-20	2*0.96
20000	15	1Am(M4)	4/1	1.2/5	5/20	5-20	2*0.96

NWH7 Double Girder Wire Rope Hoist

2.18. NWH7 Double Girder 16000/20000kg NWH716041PB5FDEN / NWH720041PB4FDEN (H=18m)

Product Dimensions:

H (m)	L1 (mm)	S (mm)	L2 (mm)	L3 (mm)
18	3175	2700	1175	300



Product Parameter:

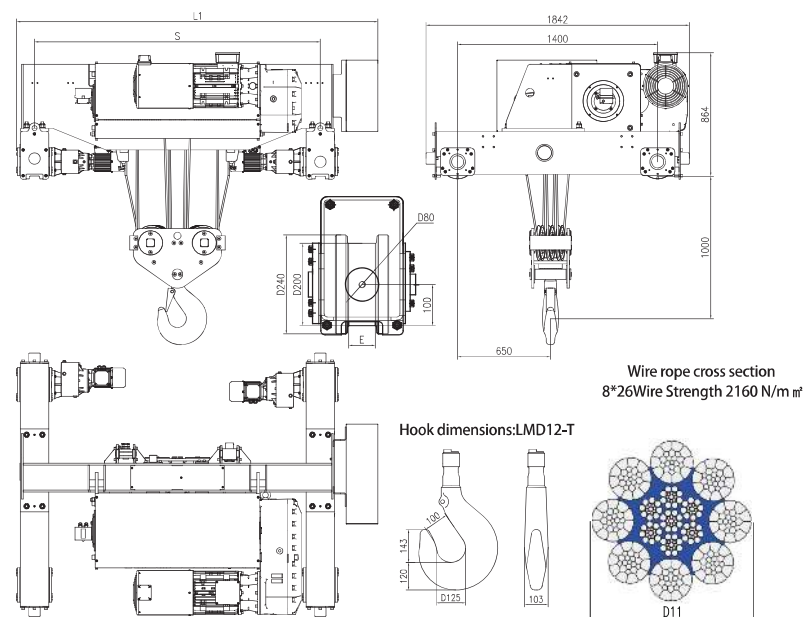
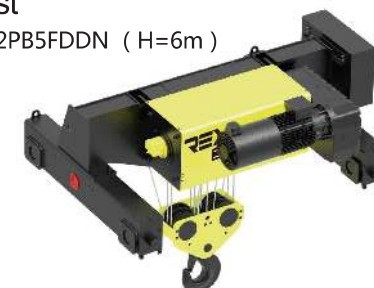
Rated Capacity (Kg)	Height (m)	Working Class (FEM/GB)	Reeving	Lifting Speed (m/min)	Lifting Motor (kw)	Trolley Speed (m/min)	Trolley Motor Power (kw)
16000	18	2m(M5)	4/1	1.2/5	5/20	5-20	2*0.96
20000	18	1Am(M4)	4/1	1.2/5	5/20	5-20	2*0.96

NWH8 Double Girder Wire Rope Hoist

2.19. NWH8 Double Girder 32000kg NWH832062PB5FDDN (H=6m)

Product Dimensions:

H (m)	L1 (mm)	S (mm)
6	2529	2000



Product Parameter:

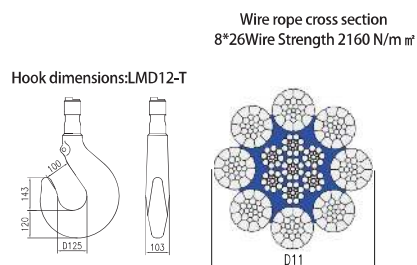
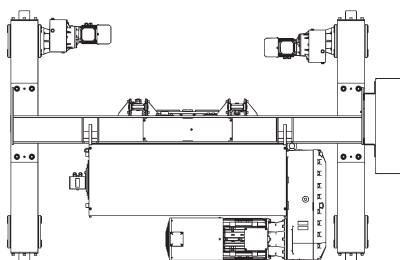
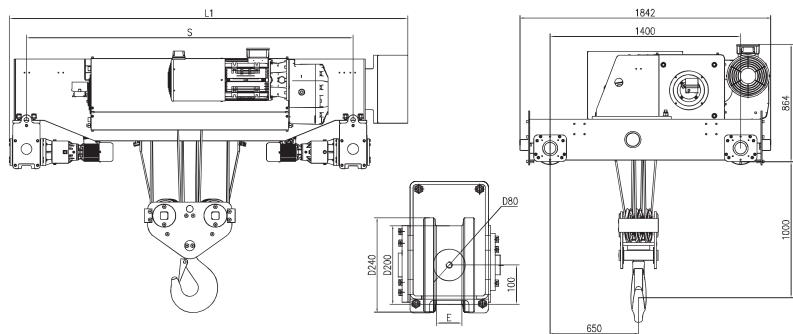
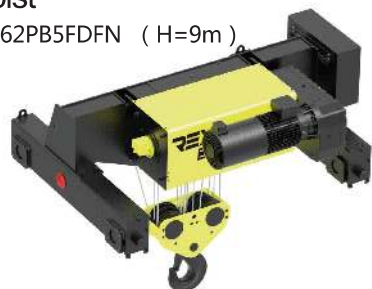
Rated Capacity (Kg)	Height (m)	Working Class (FEM/GB)	Reeving	Lifting Speed (m/min)	Lifting Motor (kw)	Trolley Speed (m/min)	Trolley Motor Power (kw)
32000	6	2m(M5)	12/2	0.8/3.3	5/20	5-20	2*1.3

NWH8 Double Girder Wire Rope Hoist

2.20. NWH8 Double Girder 32000kg NWH832062PB5FDFN (H=9m)

Product Dimensions:

H (m)	L1 (mm)	S (mm)
9	2929	2400



Product Parameter:

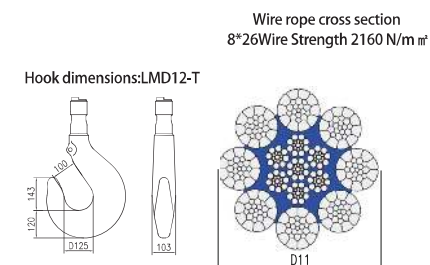
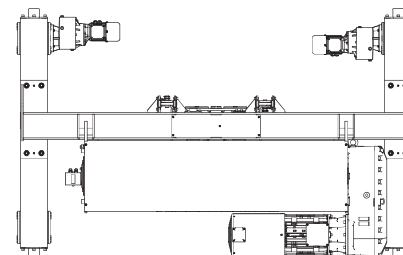
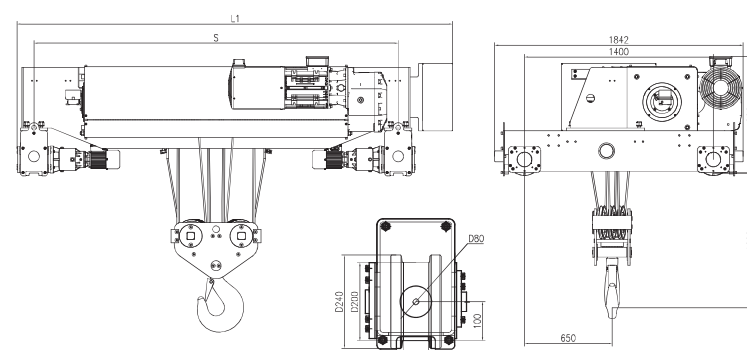
Rated Capacity (Kg)	Height (m)	Working Class (FEM/GB)	Reeving	Lifting Speed (m/min)	Lifting Motor (kw)	Trolley Speed (m/min)	Trolley Motor Power (kw)
32000	9	2m(M5)	12/2	0.8/3.3	5/20	5-20	2*1.3

NWH8 Double Girder Wire Rope Hoist

2.21. NWH8 Double Girder 32000kg NWH832062PB5FDHN (H=12m)

Product Dimensions:

H (m)	L1 (mm)	S (mm)
12	3229	2700



Product Parameter:

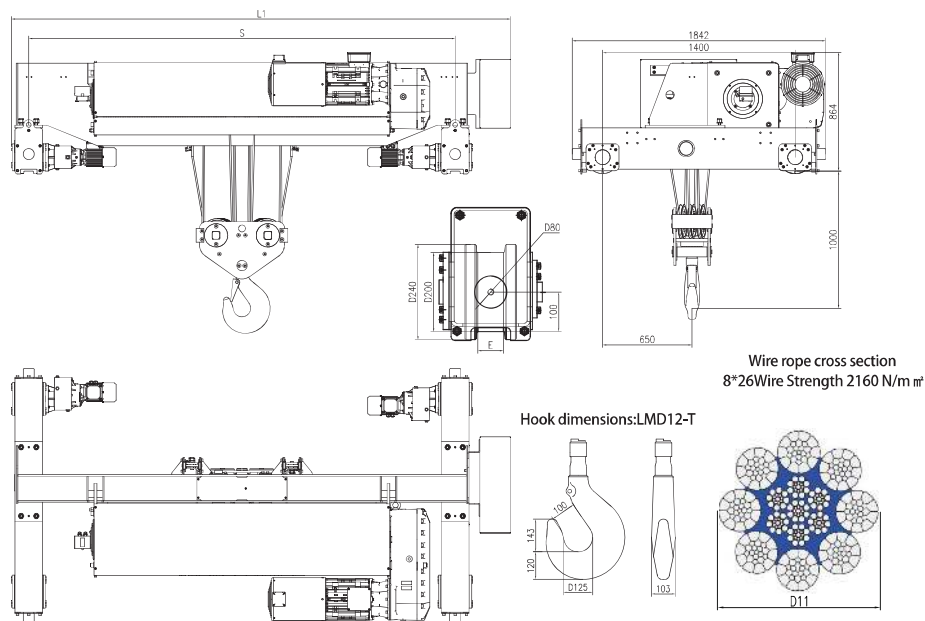
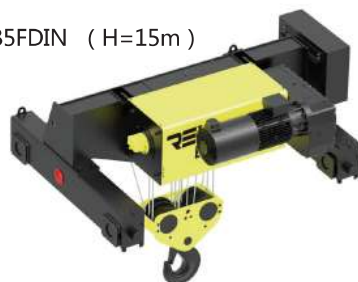
Rated Capacity (Kg)	Height (m)	Working Class (FEM/GB)	Reeving	Lifting Speed (m/min)	Lifting Motor (kw)	Trolley Speed (m/min)	Trolley Motor Power (kw)
32000	12	2m(M5)	12/2	0.8/3.3	5/20	5-20	2*1.3

NWH8 Double Girder Wire Rope Hoist

2.22. NWH8 Double Girder 32000kg NWH832062PB5FDIN (H=15m)

Product Dimensions:

H (m)	L1 (mm)	S (mm)
15	3629	3100



Product Parameter:

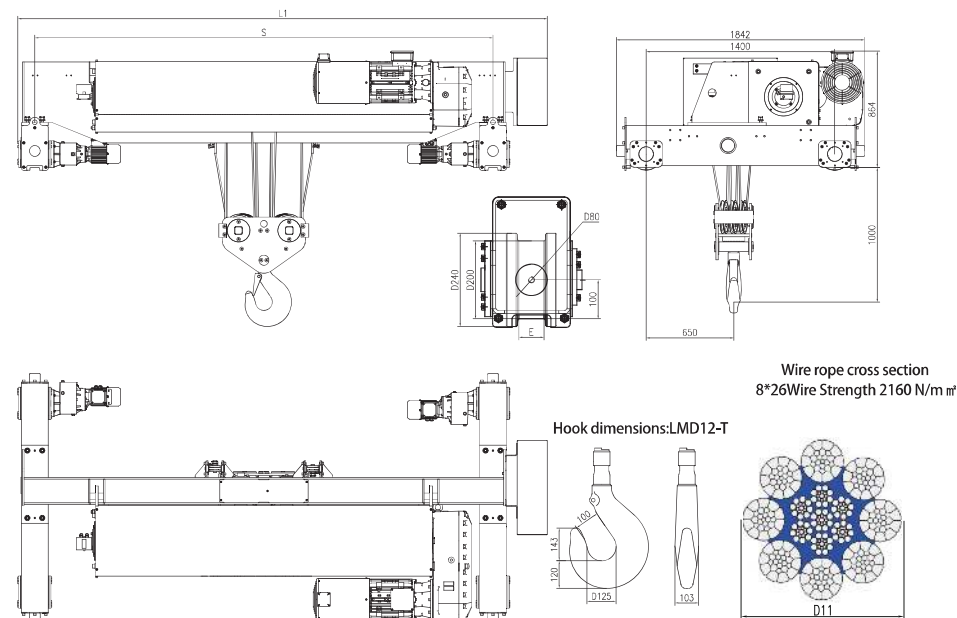
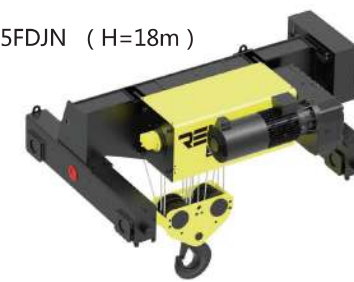
Rated Capacity (Kg)	Height (m)	Working Class (FEM/GB)	Reeving	Lifting Speed (m/min)	Lifting Motor (kw)	Trolley Speed (m/min)	Trolley Motor Power (kw)
32000	15	2m(M5)	12/2	0.8/3.3	5/20	5-20	2*1.3

NWH8 Double Girder Wire Rope Hoist

2.23. NWH8 Double Girder 32000kg NWH832062PB5FDJN (H=18m)

Product Dimensions:

H (m)	L1 (mm)	S (mm)
18	3929	3400



Product Parameter:

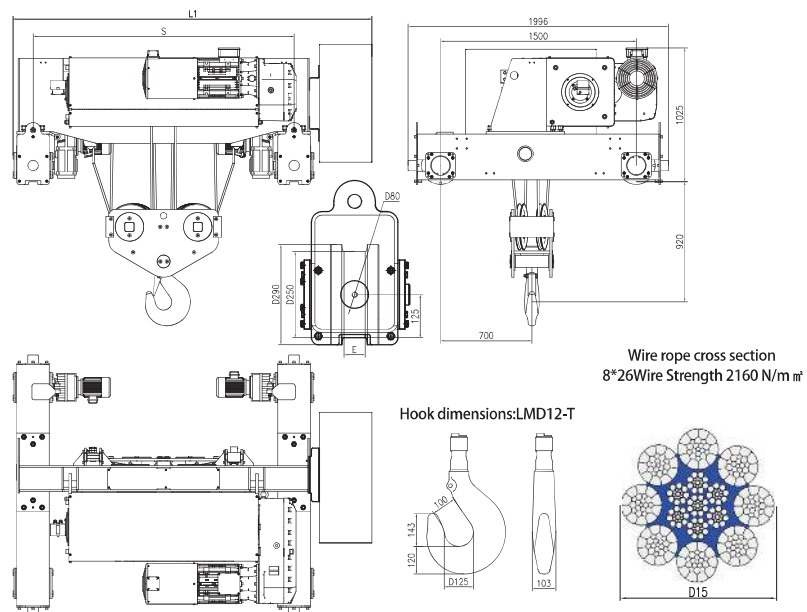
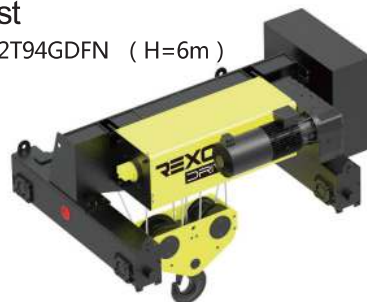
Rated Capacity (Kg)	Height (m)	Working Class (FEM/GB)	Reeving	Lifting Speed (m/min)	Lifting Motor (kw)	Trolley Speed (m/min)	Trolley Motor Power (kw)
32000	18	2m(M5)	12/2	0.8/3.3	5/20	5-20	2*1.3

NWH9 Double Girder Wire Rope Hoist

2.24. NWH9 Double Girder 40000kg NWH940042T94GDFN (H=6m)

Product Dimensions:

H (m)	L1 (mm)	S (mm)
6	2830	2000



Product Parameter:

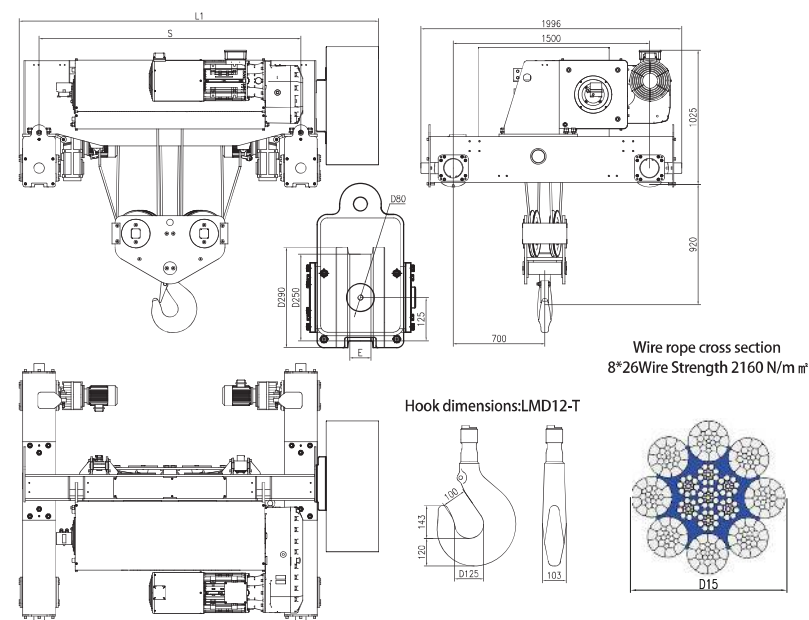
Rated Capacity (Kg)	Height (m)	Working Class (FEM/GB)	Reeving	Lifting Speed (m/min)	Lifting Motor (kw)	Trolley Speed (m/min)	Trolley Motor Power (kw)
40000	6	1Am(M4)	8/2	0-4.9	38	5-20	2*1.5

NWH9 Double Girder Wire Rope Hoist

2.25. NWH9 Double Girder 40000kg NWH940042T94GDFN (H=9m)

Product Dimensions:

H (m)	L1 (mm)	S (mm)
9	2830	2000



Product Parameter:

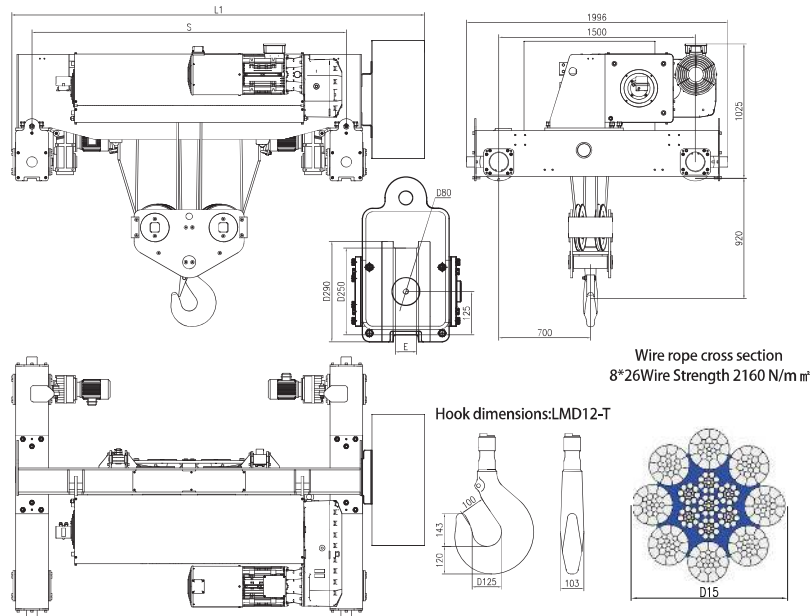
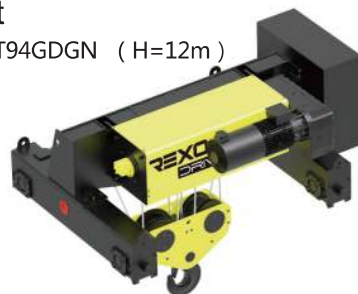
Rated Capacity (Kg)	Height (m)	Working Class (FEM/GB)	Reeving	Lifting Speed (m/min)	Lifting Motor (kw)	Trolley Speed (m/min)	Trolley Motor Power (kw)
40000	9	1Am(M4)	8/2	0-4.9	38	5-20	2*1.5

NWH9 Double Girder Wire Rope Hoist

2.26. NWH9 Double Girder 40000kg NWH940042T94GDGN (H=12m)

Product Dimensions:

H (m)	L1 (mm)	S (mm)
12	3230	2400



Product Parameter:

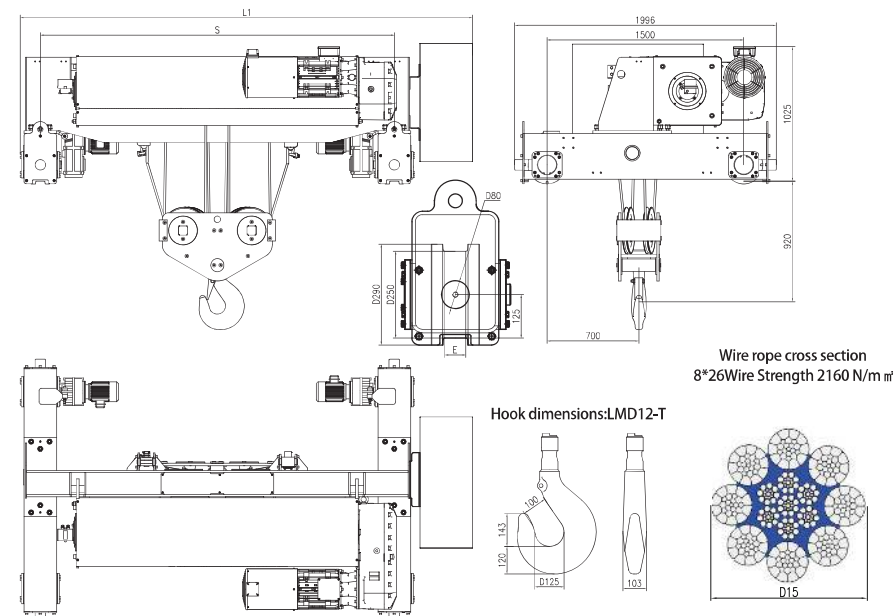
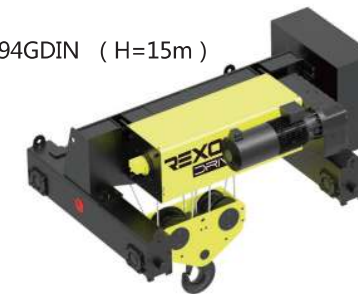
Rated Capacity (Kg)	Height (m)	Working Class (FEM/GB)	Reeving	Lifting Speed (m/min)	Lifting Motor (kw)	Trolley Speed (m/min)	Trolley Motor Power (kw)
40000	12	1Am(M4)	8/2	0-4.9	38	5-20	2*1.5

NWH9 Double Girder Wire Rope Hoist

2.27. NWH9 Double Girder 40000kg NWH940042T94GDIN (H=15m)

Product Dimensions:

H (m)	L1 (mm)	S (mm)
15	3530	2700



Product Parameter:

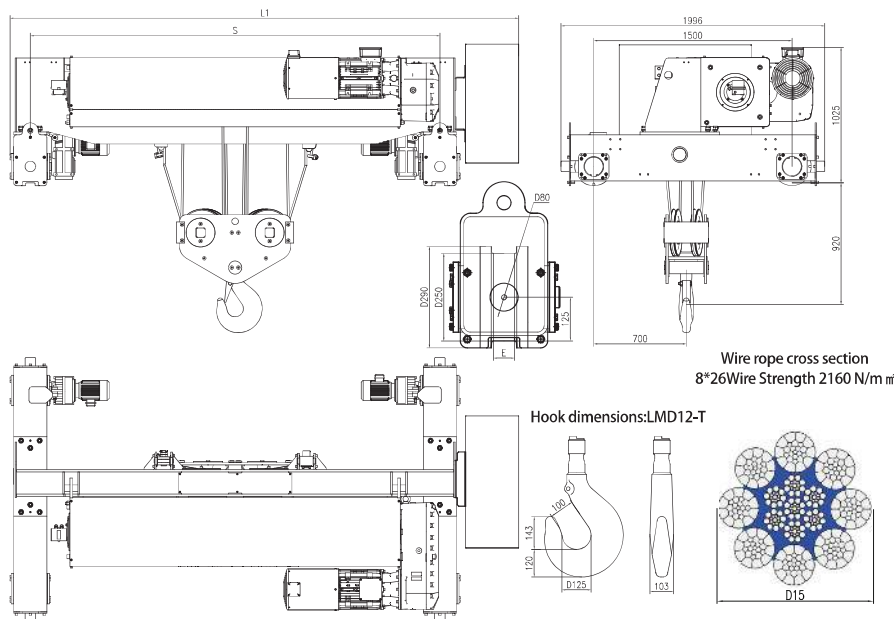
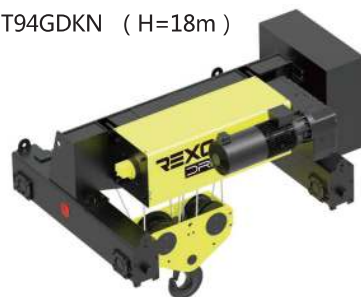
Rated Capacity (Kg)	Height (m)	Working Class (FEM/GB)	Reeving	Lifting Speed (m/min)	Lifting Motor (kw)	Trolley Speed (m/min)	Trolley Motor Power (kw)
40000	15	1Am(M4)	8/2	0-4.9	38	5-20	2*1.5

NWH9 Double Girder Wire Rope Hoist

2.28. NWH9 Double Girder 40000kg NWH940042T94GDKN (H=18m)

Product Dimensions:

H (m)	L1 (mm)	S (mm)
18	3930	3100



Product Parameter:

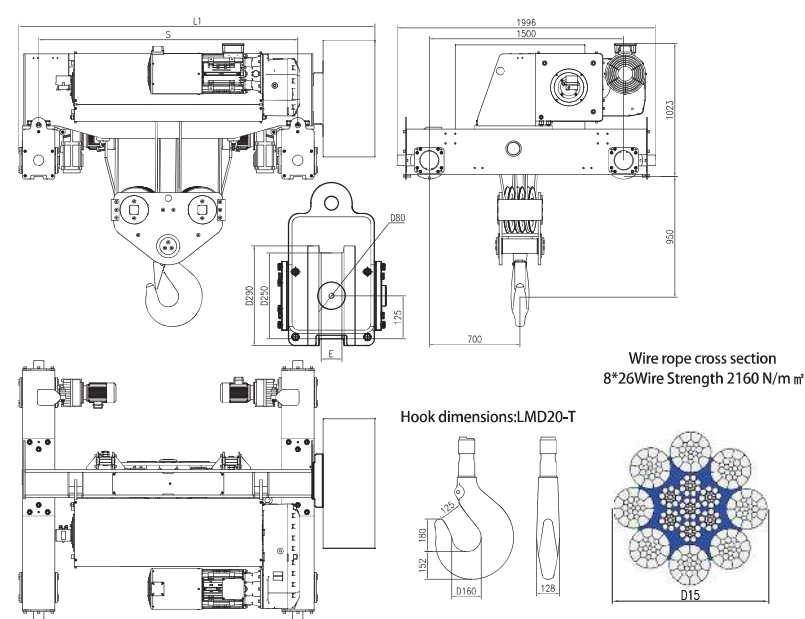
Rated Capacity (Kg)	Height (m)	Working Class (FEM/GB)	Reeving	Lifting Speed (m/min)	Lifting Motor (kw)	Trolley Speed (m/min)	Trolley Motor Power (kw)
40000	18	1Am(M4)	8/2	0-4.9	38	5-20	2*1.5

NWH9 Double Girder Wire Rope Hoist

2.29. NWH9 Double Girder 50000kg NWH950062T95GDFN (H=6m)

Product Dimensions:

H (m)	L1 (mm)	S (mm)
6	2830	2000



Product Parameter:

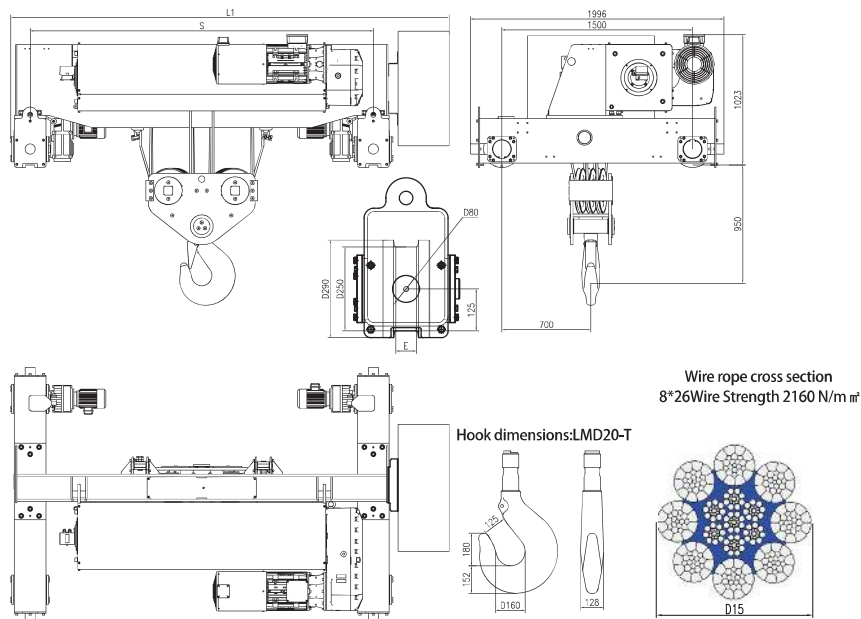
Rated Capacity (Kg)	Height (m)	Working Class (FEM/GB)	Reeving	Lifting Speed (m/min)	Lifting Motor (kw)	Trolley Speed (m/min)	Trolley Motor Power (kw)
50000	6	2m(M5)	12/2	0-3.2	38	5-20	2*1.5

NWH9 Double Girder Wire Rope Hoist

2.30. NWH9 Double Girder 50000kg NWH950062T95GDHN (H=9m)

Product Dimensions:

H (m)	L1 (mm)	S (mm)
9	3530	2700



Product Parameter:

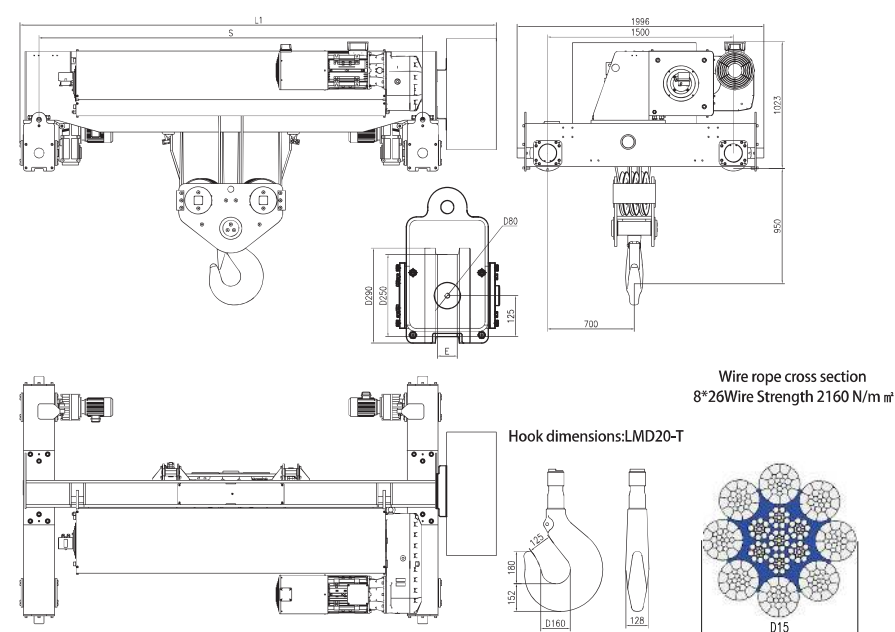
Rated Capacity (Kg)	Height (m)	Working Class (FEM/GB)	Reeving	Lifting Speed (m/min)	Lifting Motor (kw)	Trolley Speed (m/min)	Trolley Motor Power (kw)
50000	9	2m(M5)	12/2	0-3.2	38	5-20	2*1.5

NWH9 Double Girder Wire Rope Hoist

2.31. NWH9 Double Girder 50000kg NWH950062T95GDKN (H=12m)

Product Dimensions:

H (m)	L1 (mm)	S (mm)
12	3930	3100



Product Parameter:

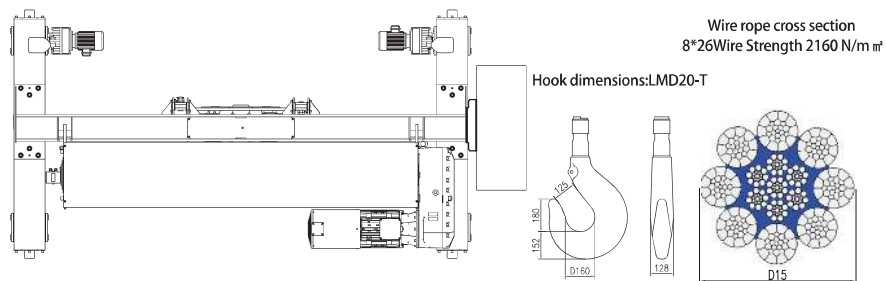
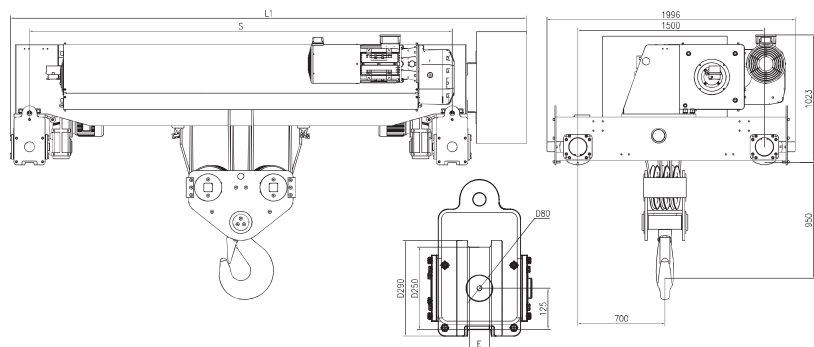
Rated Capacity (Kg)	Height (m)	Working Class (FEM/GB)	Reeving	Lifting Speed (m/min)	Lifting Motor (kw)	Trolley Speed (m/min)	Trolley Motor Power (kw)
50000	12	2m(M5)	12/2	0-3.2	38	5-20	2*1.5

NWH9 Double Girder Wire Rope Hoist

2.32. NWH9 Double Girder 50000kg NWH950062T95GDLN (H=15m)

Product Dimensions:

H (m)	L1 (mm)	S (mm)
15	4230	3400



Product Parameter:

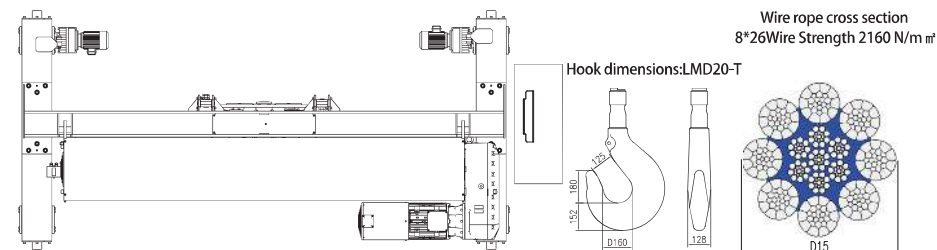
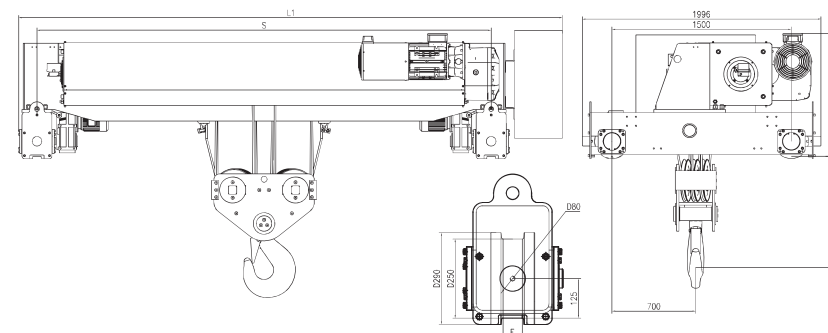
Rated Capacity (Kg)	Height (m)	Working Class (FEM/GB)	Reeving 12/2	Lifting Speed (m/min)	Lifting Motor (kw)	Trolley Speed (m/min)	Trolley Motor Power (kw)
50000	15	2m(M5)	12/2	0-3.2	38	5-20	2*1.5

NWH9 Double Girder Wire Rope Hoist

2.33. NWH9 Double Girder 50000kg NWH950062T95GDMN (H=18m)

Product Dimensions:

H (m)	L1 (mm)	S (mm)
18	4630	3800



Product Parameter:

Rated Capacity (Kg)	Height (m)	Working Class (FEM/GB)	Reeving 12/2	Lifting Speed (m/min)	Lifting Motor (kw)	Trolley Speed (m/min)	Trolley Motor Power (kw)
50000	18	2m(M5)	12/2	0-3.2	38	5-20	2*1.5