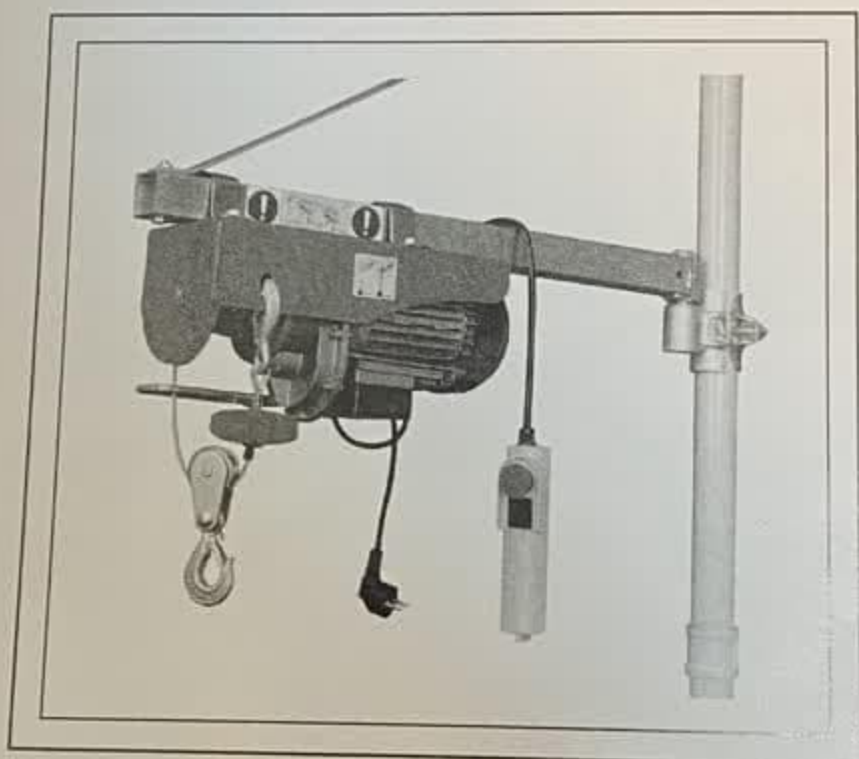


Daikō

MINI ELECTRIC WIRE HOIST OPERATING INSTRUCTIONS



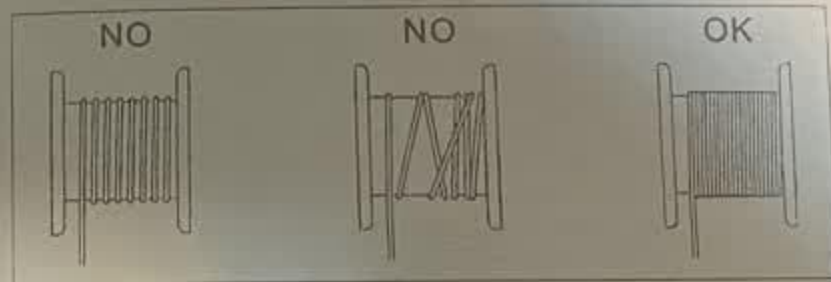
PA200-PA1200

Congratulations for your excellent choice! Your new electric tool is manufactured in compliance with the best quality and reliability standards, ensuring you efficiency and safety for a long period of time

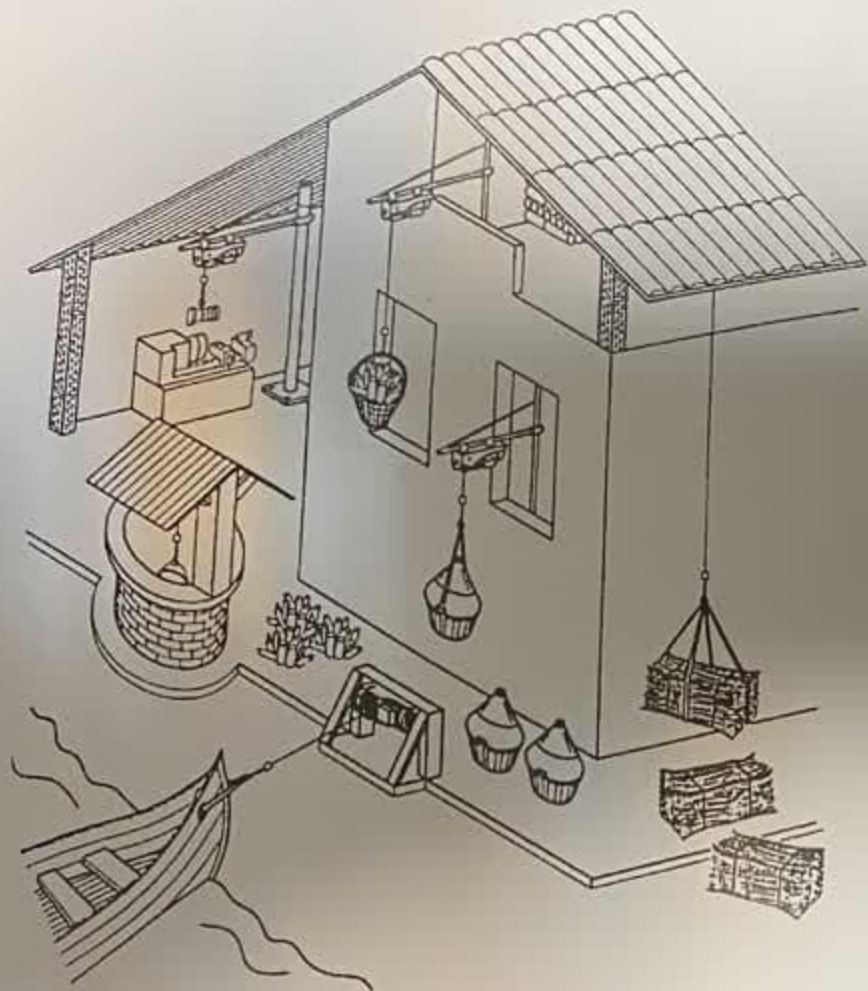
GENERAL SAFETY RULES

WARNING! Before using this electric tool, carefully read the general safety rules listed below.

- Your sockets must comply with safety rules. In case your sockets are not suitable, they should be checked by a skilled electrician.
- Your socket plug must absolutely be grounded and your electric system must be supplied with a magneto cut-out safety.
- When the machine is running unwatched, be careful that children can not reach it.
- Do not pull the electric cable to disconnect the plug.
- The machine shall be protected from frost and low temperatures.
- In case the machine cannot hoist a load, do not keep pressing the hoisting push-button: this means that the load exceeds the machine maximum capacity.
- The machine shall not be disassembled when running or connected to power.
- The machine shall not be operated when it is raining or storming.
- Do not stand under the hoist and make sure children can't reach it when it is running.
- Before starting the work, make sure that the steel cable is correctly wound around the reel and the pitch is equal to the cable diameter.



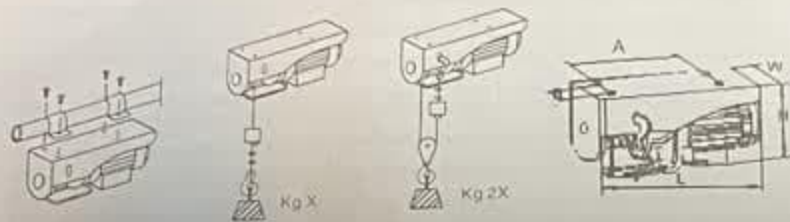
- **OBSERVE THE MAXIMUM LOAD INDICATED ON THE HOIST, NOT THAT ON THE HOOK!**
- Leave at least three turns of cable around the reel, so that the cable connection is not under stress.
- To avoid any danger, do not wind more than 15 m of cable around the reel.
- In case the steel cable is worn out, it must be replaced only with a cable of same features manufactured by us. It can be found at all authorized service shops.
- Before starting the work, check that switches are in good operating conditions.
- In case the hoist stops during the lowering of a load, it is normal that the load goes down a few centimeters more because of inertia.
- **ATTENTION!! THE HOIST ELECTRIC MOTOR IS NOT SUPPLIED WITH ANY OVERLOAD CUT-OUT (TO AVOID AN UNEXPECTED AND UNWANTED RE-START) THEREFORE, IF YOU ARE UNABLE TO HOIST A LOAD DO NOT INSIST AND LET THE MOTOR COOL DOWN.**



INSTALLATION

The hoist <STANDARD VERSION> is provided with a specially designed bracket system which allows to hold pipes box.

Check the socket features (volt-hertz) correspond to those indicated on the machine plate; then you can insert the plug.
In case a cable extension is needed, it is absolutely important to respect the cable's data.



DIMENSION

PA Series	200A	250A	300A	400A	500A	600A	800A	1000A	1200A
L	330	330	330	385	385	385	410	470	470
W	134	134	134	147	147	147	147	170	170
H	146	146	146	178	178	178	178	265	265
A	212		220		220		270	270	
B	88		100		100		112	112	
Screw Size	M8X22mm		M10X24mm			M12X30mm			

INSTALLATION CLASS

Insulation Class: B

Protection Class: Ip54

Working System: Intermittent Duty Cycle (S3 20%-10min)

MAINTENANCE

—Periodically CHECK that the steel cable is in good conditions.

- 1 CHECK that the screws securing the brackets and reduction gear are well tightened.
- 2 CHECK THE CONDITIONS AND TIGHTENING OF THE NUTS securing the steel cable clamps.
- 3 Periodically CHECK that motor stop switch and push button switch are good operating conditions.

EXTENSION LENGTH	EL. CABLE SECTION
Up to 20m	1,5mm
da 20 a 50m	2,5mm

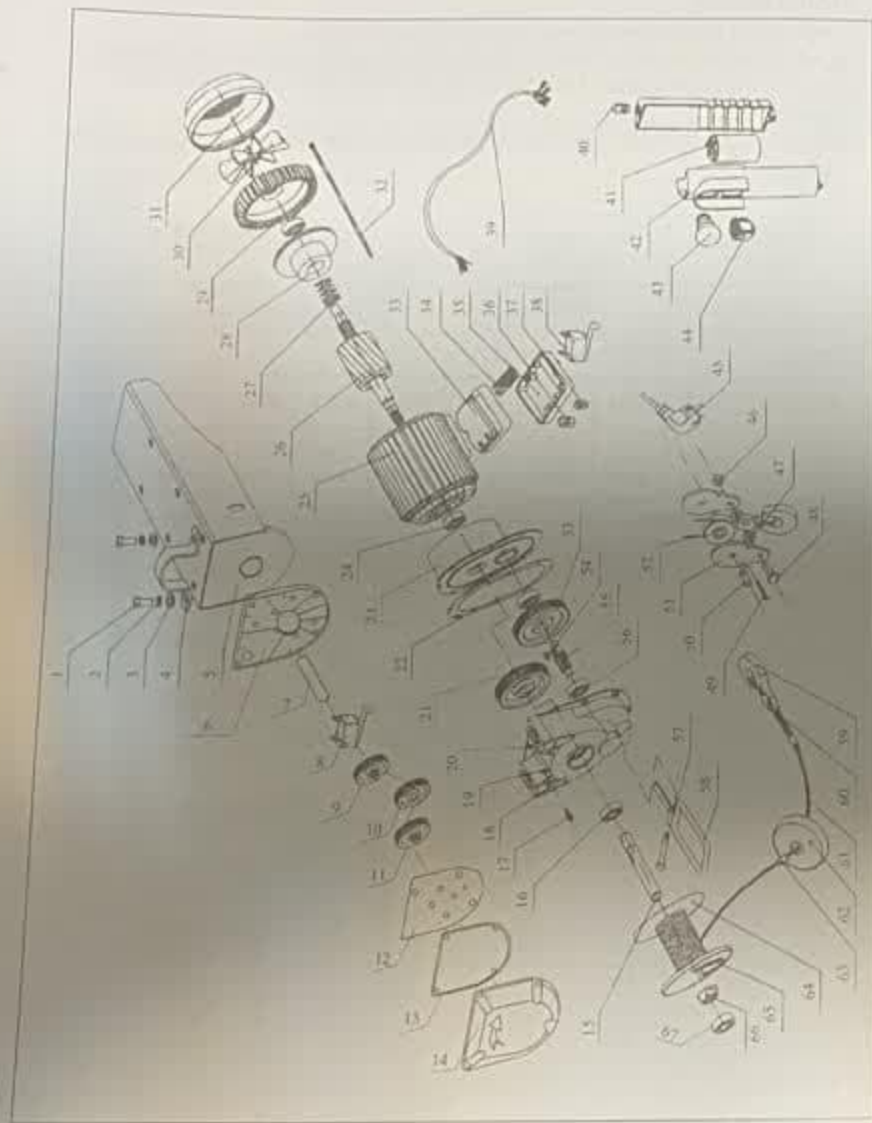


PA Series	200A	250A	300A	400A	500A	600A	800A	1000A	1200A
Min Rot. Size	3mm	3mm	3mm	4mm	4mm	4mm	5mm	6mm	6mm
Di. Length	20M	20M	20M	20M	20M	20M	20M	20M	20M

TECHNICAL DATA

Type	Hook	Rated capacity (kg)	Lifting Speed (m/min)	Lifting Height (m)	Rated Length (m)	Input Power (W)	Work Duty	Rated Volt (V)
PA200A	Single	100	10	20	20	580	S3 20%-10min	Single 220/240V 50/60HZ
	Double	200	5	10				
PA250A	Single	125	10	20	20	620	S3 20%-10min	
	Double	250	5	10				
PA300A	Single	150	10	20	20	650	S3 20%-10min	
	Double	300	5	10				
PA400A	Single	200	10	20	20	950	S3 20%-10min	
	Double	400	5	10				
PA500A	Single	250	10	20	20	1350	S3 20%-10min	
	Double	500	5	10				
PA800A	Single	300	10	20	20	1500	S3 20%-10min	
	Double	600	5	10				
PA700A	Single	350	10	20	20	1600	S3 20%-10min	
	Double	700	5	10				
PA800A	Single	400	10	20	20	1800	S3 20%-10min	
	Double	800	5	10				
PA1000A	Single	500	10	20	20	2000	S3 20%-10min	
	Double	1000	5	10				
PA1200A	Single	600	10	20	20	2100	S3 20%-10min	
	Double	1200	5	10				

Note: Due to the continue improvement, the technical parameter are subject to change without notice.



No	Description	No	Description
1	Hexagon bolt	35	Terminal cover
2	Spring washer	36	Holding fixture
3	Flat washer	37	Holding fixture
4	Fixing ring	38	Safety switch
5	Support structure	39	Cable
6	Motherboard	40	Holding fixture
7	Transmission shaft	41	Capacitor
8	Safety switch	42	Handle
9	Gearwheel	43	Emergency stop switch
10	Gearwheel	44	Switch
11	Gearwheel	45	Plug cord
12	Setting plate	46	Locknut
13	Gasket seal	47	Hook washer
14	Switch capsule	48	Hexagon bolt
15	Rope roll shaft	49	Hexagon bolt
16	Bearing	50	Pulley shaft
17	Hexagon fillister head screw	51	Splint
18	Gearcase	52	Pulley
19	Spring washer	53	Gearwheel
20	Flat washer	54	Flat key
21	Gearwheel	55	Gear shaft
22	Cushion board	56	Bearing
23	Front cover	57	Hexagon fillister head screw
24	Bearing	58	Limiter
25	Motor	59	Hook
26	Rotor	60	Rope thimble
27	Brake spring	61	Wire rope
28	Brake component	62	Block
29	Back end cover	63	Aluminum pipe
30	Fan blade	64	Rope roll
31	Fan cover	65	Wedge
32	Hexagon bolt	66	Bushing
33	Junction box	67	Bearing
34	Wiring terminal		